

THE EXTE SYSTEM WORLD

## One platform. All options.



ROLLER SHUTTER BOX SYSTEMS | WINDOW ACCESSORY SYSTEMS | CLADDING SOLUTIONS

## Complete catalogue

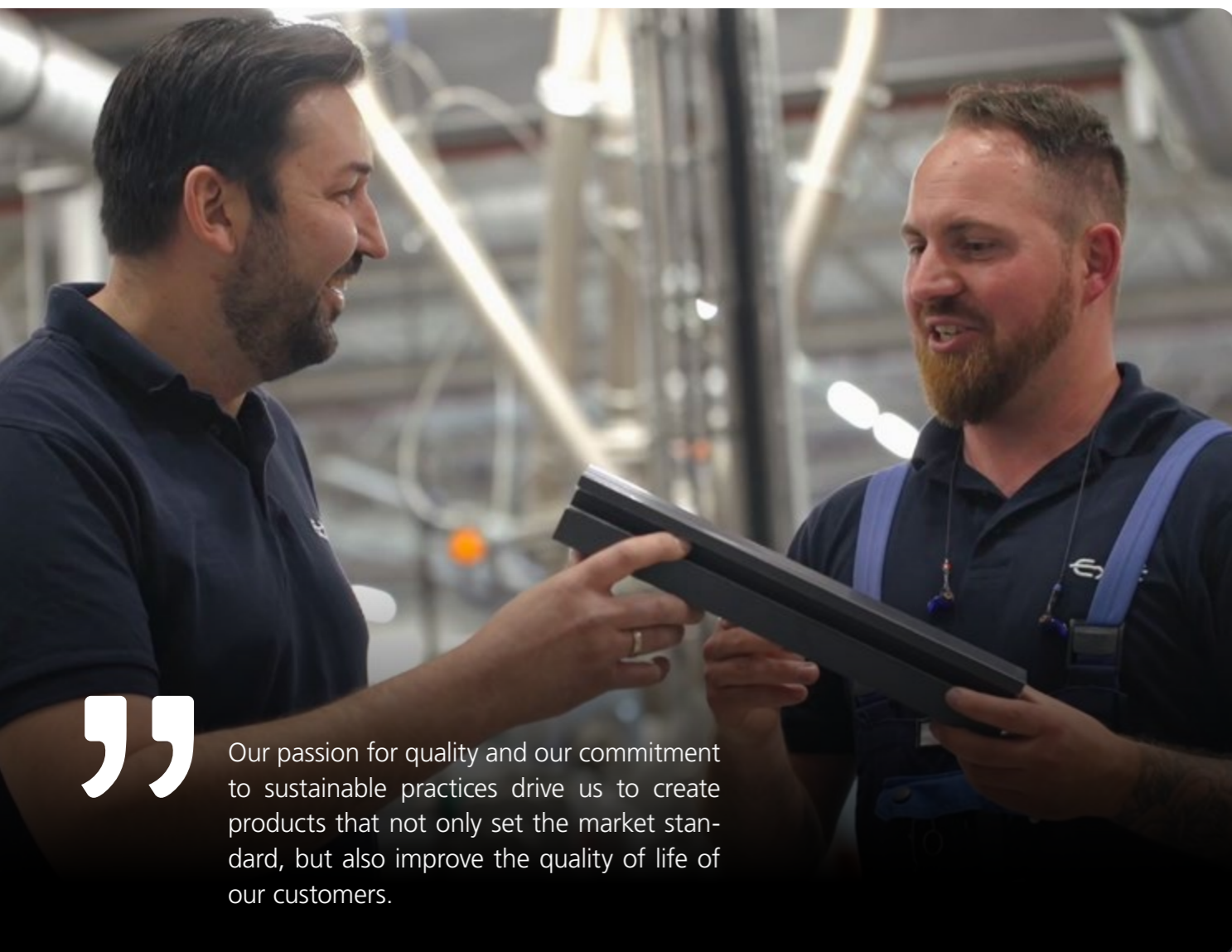
# Welcome to EXTE.

## PARTNER OF THE CONSTRUCTION INDUSTRY.

EXTE is a specialist in roller shutter box and window accessory systems. Since the company was founded in 1959, we have grown continuously as a medium-sized company and have repeatedly introduced new products and solutions to the market. This has enabled us to become a reliable partner for system houses, window manufacturers and assembly companies. We offer our customers innovative and demand-oriented products at competitive prices. With our own tool-making, large development department and modern production facilities, we manufacture a large variety of parts. Our in-house logistics guarantee reliable deliveries to many parts of Europe.

EXTE roller shutter boxes fit any profile system. They are efficient, standard-compliant and certified.

As a price and technology leader, we develop and produce all systems and tools ourselves at our three German locations in Wipperfürth, Nienburg and Köthen. Our local consultants listen carefully to our partners. At EXTE, we know what the market requires, develop new products and improve existing ones. With a high level of innovation, we secure good business for our market partners and offer exactly the quality advantage that promises long-term success.



Our passion for quality and our commitment to sustainable practices drive us to create products that not only set the market standard, but also improve the quality of life of our customers.

# Table of contents

## LARGE PROGRAMME. FLEXIBLE APPLICATION.

<b>About US</b>	<b>04</b>	<b>Roller shutter construction</b>	<b>92</b>
<b>Decor World</b>	<b>08</b>	Roller shutter runners	92
<b>Roller shutter box systems</b>	<b>14</b>	Inspecton angle and insulation	98
The XT platform	16	Cover caps	99
EXAKT XT	26	Intake guide	100
EXPERT XT	30	Brushes and weatherstrip	101
ELITE XT	34	Fasteners	102
NEO XT	40	Traverses	103
<b>Window accessory systems</b>	<b>46</b>	Roll-off strips	104
Window connection	48	<b>Cladding solutions</b>	<b>106</b>
Installation situations	50	Professional plank roof	108
The EXTE Decor World	51	Exte Express Decors	110
<b>Window assembly</b>	<b>52</b>	Cladding panel	112
Flat strips	52	Corner profile	114
Kink angle and flex strip	56	Working instructions	116
Flat strips on a roll	58	Privacy strip	118
Kink angle and flex strip on roller	61	Standard/special colours	119
Cover strips	62	Privacy strip premium PP	120
Clip strips and cover strips	68	General information	122
Staple strips	70		
Flat strips	78		
Sealing strips	72		
i-strips	74		
Angle	76		
Multi-purpose strips	78		
PVC pipes	79		
Reveal cladding system	80		
Chamber profiles	81		
Butt strap system	82		
Mounting profiles	83		
Variable system	84		
Cover profiles	85		
Chamber angle	86		
Reveal cover	87		
Rung system	88		
Glass rungs	89		
Coupling profiles	90		



# Innovations that work. Progress that has an effect.

At EXTE, numbers are more than just statistics – they are proof of our continuous development and our commitment to quality, innovation and sustainability. From our founding in 1959 until today, we have constantly invested in our people, technologies and

processes to not only be a leader in the industry, but also make a positive contribution to our environment. Our figures show how we grow, adapt and always strive to exceed the expectations of our customers and partners.

**400+**  
Employees

**28.000** m<sup>2</sup>  
Manufacturing sites

**100%**  
Zero waste

**4\***  
Locations

## OUR MISSION IS CLEAR.

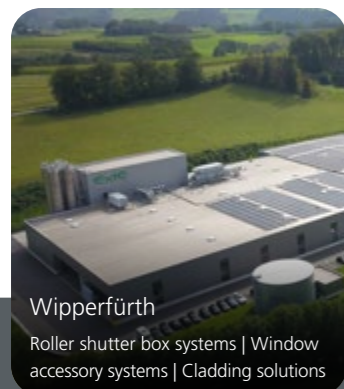
We strive to improve quality of life and housing security by 2030 through our innovative and sustainable products. As the market leader in our core markets, we are committed to offering the best value for money and technology leadership.

By continuously investing in digitalisation and automation and promoting our employees, we actively strive to shape the construction industry's future and always offer our customers a decisive quality advantage.

## DISCOVER OUR LOCATIONS.

Our presence in the construction industry extends beyond national and international borders. With three strategically positioned locations in Germany and another in Poland, we offer our customers

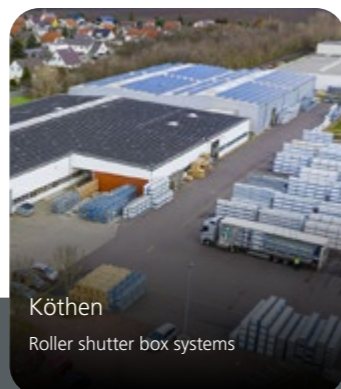
and partners local expertise and service. Each branch reflects our commitment to quality, innovation and customer proximity – elements that are at the heart of our corporate philosophy.



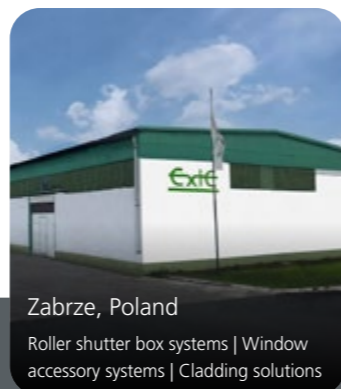
Wipperfürth  
Roller shutter box systems | Window accessory systems | Cladding solutions



Nienburg  
Formwork accessories



Köthen  
Roller shutter box systems



Zabrze, Poland  
Roller shutter box systems | Window accessory systems | Cladding solutions

# Quality, Innovation and Service.

## DEVELOPMENT AND PRODUCTION FROM A SINGLE SOURCE.

EXTE is a partner for system houses, window manufacturers and assembly companies. As specialists, we closely follow the market and support our customers in product development, functional improvement and production. We offer everything from a single source: our own tool and machine construction, efficient design, modern production facilities and high delivery capacity. Our products are efficient, standard-compliant and certified. We operate all common profile systems. Our advantages are a high degree of specialisation and a great deal of experience.

## SYNTHESIS OF KNOWLEDGE AND SKILLS.

Making existing things better and optimising them, integrating new things homogeneously into the development and sales processes without interrupting existing processes: these are the top guidelines for all systems and solutions from EXTE. They combine our knowledge and skills with the know-how of our partners.

## CONTINUOUS INVESTMENTS.

Rising productivity and continuous growth require investments according to plan. Two plants for extrusion and injection moulding in Wipperfürth and Nienburg (Saale), new warehouses and central tool and machine construction form a stable foundation. The continuous expansion of the roller shutter box system centre in Köthen, highly modern workplaces for developers, the fully automatic foiling systems and high quality ensure the present and future of the company.



# Simply smart. Simply effective. The future of living.



## ENERGY EFFICIENCY THROUGH AUTOMATED SHADING

The integration of smart home technologies into the EXTE product range underlines our commitment to innovation and comfort.

Our roller shutter box systems are fully compatible with leading motor manufacturers, which in turn enable seamless connection to various smart home centres. This connectivity allows intuitive control via common platforms such as Alexa, HomeKit or Google Assistant – a central building block for a modern, intelligent home.

The intelligent control of sun protection systems plays a decisive role in the energy efficiency of buildings. EXTE's automated shading solutions make a significant contribution to reducing CO<sub>2</sub> emissions and energy requirements for heating and air conditioning systems. Studies show that the right combination of windows and automated sun protection systems can save up to 70% cooling energy and up to 30% heating energy. This not only results in significant energy savings, but also in an optimized indoor climate.

Impressive results: Up to 70% less cooling energy and up to 30% less heating energy are possible compared to windows without a sun protection system, especially in air-conditioned rooms or houses.

### CO<sub>2</sub> reduction

Not bad: Up to six million tons of CO<sub>2</sub> emissions could be saved if all residential buildings in Germany were equipped with automated sun protection system.

### Optimal indoor climate

Welcome to an efficient future: Automated systems act independently to changes in the climate to ensure a pleasant feel-good atmosphere at all times.

### Comfort and control

Control via smart home platforms allows easy adaptation of the sun protection system to individual needs, even when residents are not at home.

# Heat and noise stay outside.

## EFFICIENT THERMAL INSULATION. SAVING ENERGY MADE EASY.

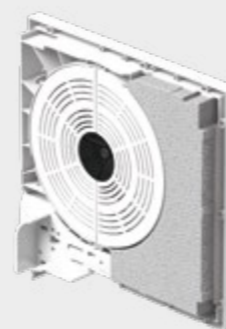
In a world where energy efficiency and sustainability are becoming increasingly important, the roller shutter box systems from EXTE set new standards in thermal insulation. Our systems are specially designed to meet the strict requirements of the GEG and the building regulations lists, with a Roller Shutter Box U-value of  $\leq 0.85$  [W/m<sup>2</sup>K] and an  $f_{Rsi}$  value of  $\geq 0.70$ .

We understand that roller shutter boxes can represent potential thermal bridges and have therefore developed our products so that

they can be taken into account by architects in the planning phase to enable the reduced thermal bridge surcharge. This is ensured by compliance with the proof of equivalence with the installation examples from Supplement 2 to DIN 4108.

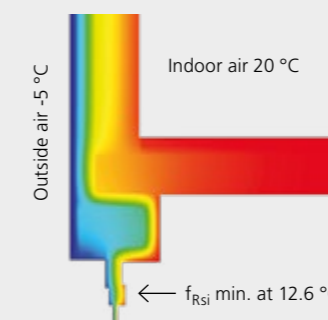
Our integrated headpiece insulation offers improved thermal insulation, which is increasingly in demand by architects, so we contribute to a more efficient and sustainable construction.

### EXCEEDING EXPECTATIONS.



Improved thermal insulation through integrated headpiece insulation: This feature is increasingly in demand by architects.

### MINIMISING THERMAL BRIDGES



The roller shutter box systems from EXTE provide perfect heat protection in accordance with the statutory provisions.

### MAXIMUM SEALING.



A range of adapter strips is available for a wide variety of frame profiles. This ensures perfect fitting.

## EXTE SOUND INSULATION.

Increase living comfort with the sound insulation strip from EXTE, a simple but effective solution for increasing the sound insulation of your roller shutter box systems. This specially designed strip offers an impressive 43 dB of sound insulation by completely closing the outlet slot of the shutter box, preventing noise from penetrating.

Assembly is child's play: The profile is simply placed on the roller shutter end rod from below and screwed in place, followed by

a rubber piping, which is pressed into the strip. If necessary, the profile can be easily removed to replace the roller shutter casing. The sound insulation strip is not only suitable for new installations, but can also be retrofitted without any problems, with its legs covering the drill holes of the previously mounted stoppers.

Available for our systems EXAKT XT, EXPERT XT, ELITE XT and NEO XT, the sound insulation strip from EXTE offers a cost-effective and efficient way to improve noise protection in your home.



MORE THAN 400 FILMS PLUS EXPRESS RANGE AVAILABLE

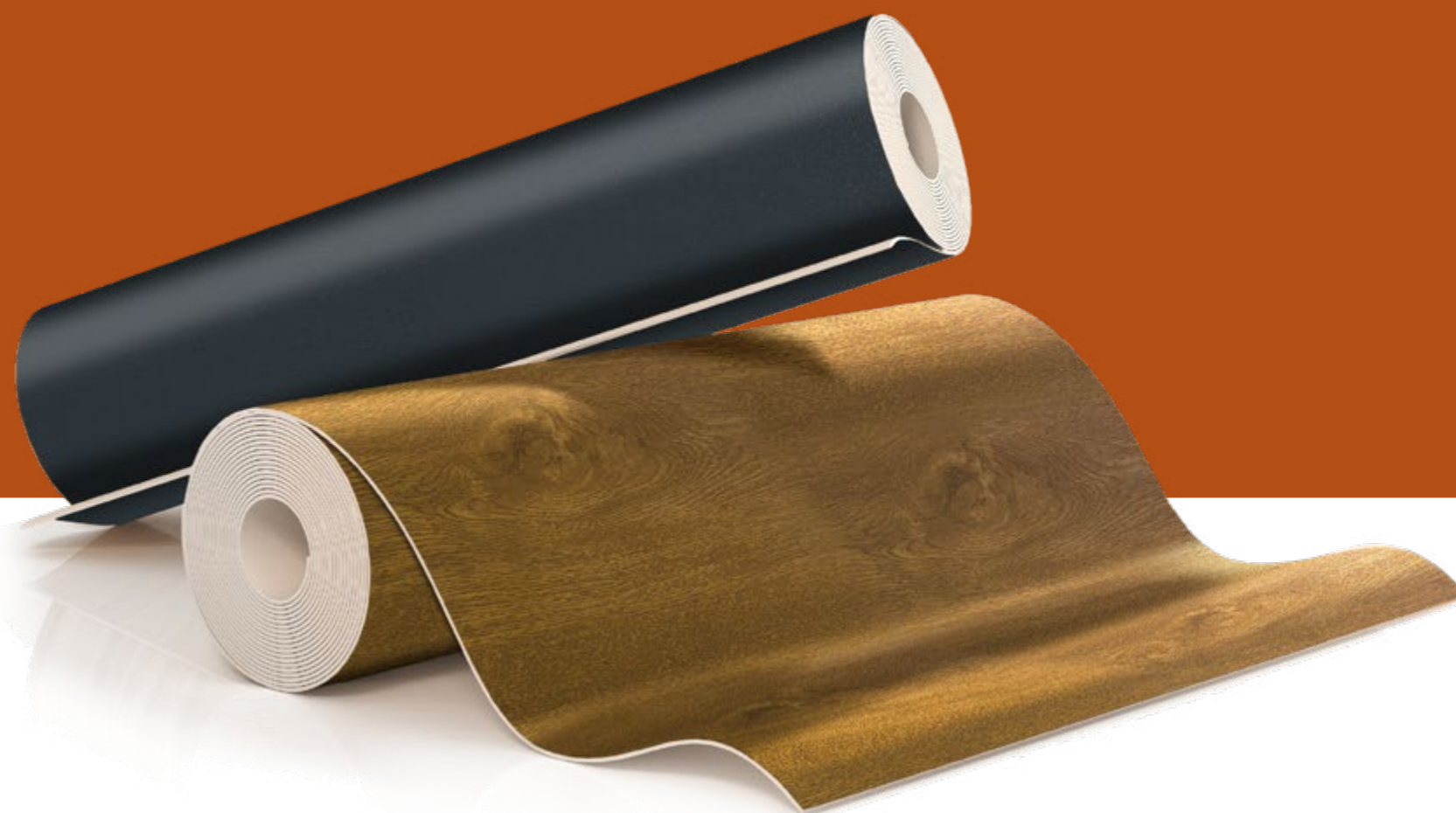
# Welcome to the EXTE Decor World

→ Welcome to the EXTE Decor World, where aesthetics meets functionality. Our comprehensive range of decor options allows you to design your construction projects individually and in style. Whether for roller shutter box systems, cladding solutions or window accessories – with us you will find the right solution that meets the highest quality standards.

Discover the variety of colours and finishes we offer and get inspired on how to make your projects unique and appealing.



→ Click here to go to the EXTE Decor World:  
<https://fensterzubehoer.exte.de/dekorwelt>



# Express Decor roller shutter cabinet

Foil	Abbreviation	RLS, kits and external panels											
		1	2	3	4	5	6	7	8	9	10	11	12
Alux DB 703	ALXDB-H	x	x	x	x								
Anthracite grey	AG-H		x		x								
Anthracite grey 7016	AG	x	x	x	x	x	x	x	x	x	x	x	x
Anthracite grey 7016 gloss	AGG	x	x	x	x	x	x	x	x	x	x	x	x
Anthracite grey 7016 Gloss 2	AGG-V	x	x	x	x								
Anthracite grey 7016 Ulti-Matt	AGUM	x	x	x	x								
Anthracite grey SFTN	AGG-H	x	x	x	x								
Basalt grey 7012	BG	x	x	x	x								
Dark oak FI-F1	L	x		x									
Golden oak	Q	x		x									
Grey 7155	SG	x		x									
Walnut V	NB	x		x									
Quartz grey 7039	QG	x	x	x	x								

COEX	Abbreviation	RLS, kits and external panels											
		1	2	3	4	5	6	7	8	9	10	11	12
Anthracite grey	7016				x		x		x	x			x*
Slate grey	7015				x		x		x	x			x*

**RLS LEGEND, KITS AND EXTERNAL PANELS:**

- 1 RLS 60x51, mini, 1 groove, 2 brushes
- 2 RLS 60x51, maxi, 1 groove, 2 brushes
- 3 RLS 60x51, mini, 2 grooves, 4 brushes
- 4 RLS 60x35, maxi, 2 grooves, 4 brushes
- 5 RLS 35x51, mini, 1 groove, 2 brushes
- 6 RLS 35x51, maxi, 1 groove, 2 brushes
- 7 RLS 60 x 86, mini, 1 groove, 2 brushes
- 8 RLS 60 x 86 maxi, 1 groove, 2 brushes
- 9 RLS doubling 60x35
- 10 RLS Reveal cover
- 11 Elite XT und Expert XT kits
- 12 Elite XT and Expert XT exterior panels

\*only for Expert XT

# Express foil roller shutter box

## COEX

Subject to change without notice. Delivery time for selected profiles: 1 week. This applies on condition the foils are available from the foil supplier!



# Express Decor window accessories

6 PROFILES IN DIFFERENT DIMENSIONS AVAILABLE FROM STOCK. AVAILABLE FROM ONE ROD.



**1** Cover strips – Self-adhesive 7 mm with flag, **2** Cover strips – Self-adhesive 15 mm with flag, **3** Clip strip 15 mm with flag, **4** Flat strip – self-adhesive 2.5 mm, **5** Flat strip 2.5 mm, **6** Angle 2.5 mm

Foil	Abbreviation	Profile width in mm					
		1	2	3	4	5	6
Antique white	AW-H	20, 30, 40, 50					
Anthracite grey	AG-H	30, 40					
Alux DB 703	ALXDB-H	30, 40		30, 40	30	30, 50	
Anthracite grey 7016	AG	20, 30, 40, 50, 60	20, 30, 40	30, 40	30, 40, 50, 80	30, 40, 50, 60, 80, 100, 150	60x40
Anthracite Grey 7016 Gloss	AGG	20, 30, 40, 50, 60	20, 30, 40	30, 40	30, 40, 50, 80	30, 40, 50, 60, 80, 100	
Anthracite Grey 7016 Gloss 2	AGG-V	30, 40					
Anthracite grey 7016 SFTN	AGG-H	30, 40, 50	30	30, 40	30	30, 50, 80	
Anthracite grey 7016 ulti-matt	AGUM	30, 40, 50		30, 40			
Basalt grey 7012	BG	20, 30, 40, 50		30, 40	30		
Mountain pine	Z	30			30, 50		
Dark green 6125	TG	30, 40, 50, 60	30				
Dark oak Fl-F1	L	20, 30, 40, 50			30, 40, 50	30, 40, 50	60x40
Golden oak	Q	20, 30, 40, 50, 60		30, 40	30, 40, 50, 80	30, 40, 50, 60, 80, 100, 150	60x40
Grey 7155	SG	30, 40			30	30, 50	60x40
Mahogany	GK	30, 40, 50			30		
Moor oak St-F	F	30, 40			30	30	
Moss green 6005	MG	30, 40, 50				30, 50	
Walnut V	NB	20, 30, 40, 50, 60			30, 40, 50, 80	30, 40, 50, 60, 80, 100, 150	60x40
Oregon 4	W	30				40	
Quartz grey 7039	QG	30		30, 40			
Sapeli	G	20, 30, 40, 50, 60	20, 30, 40	30, 40	30, 40, 50	30, 40, 50, 60	
Chocolate brown 8875	P	20, 30, 40, 50, 60			30, 40, 50	30, 40, 50	
Black-brown 8518	J	20, 30, 40, 50, 60			30, 40, 50	30, 40, 50, 60	
Siena PR 49233	SR-C	30, 40					
Douglasie stripes	Y	30			30	30, 50, 60	



# Express foil window accessories



Subject to change without notice. Delivery time for selected profiles: 1 week. This applies on condition the foils are available from the foil supplier!

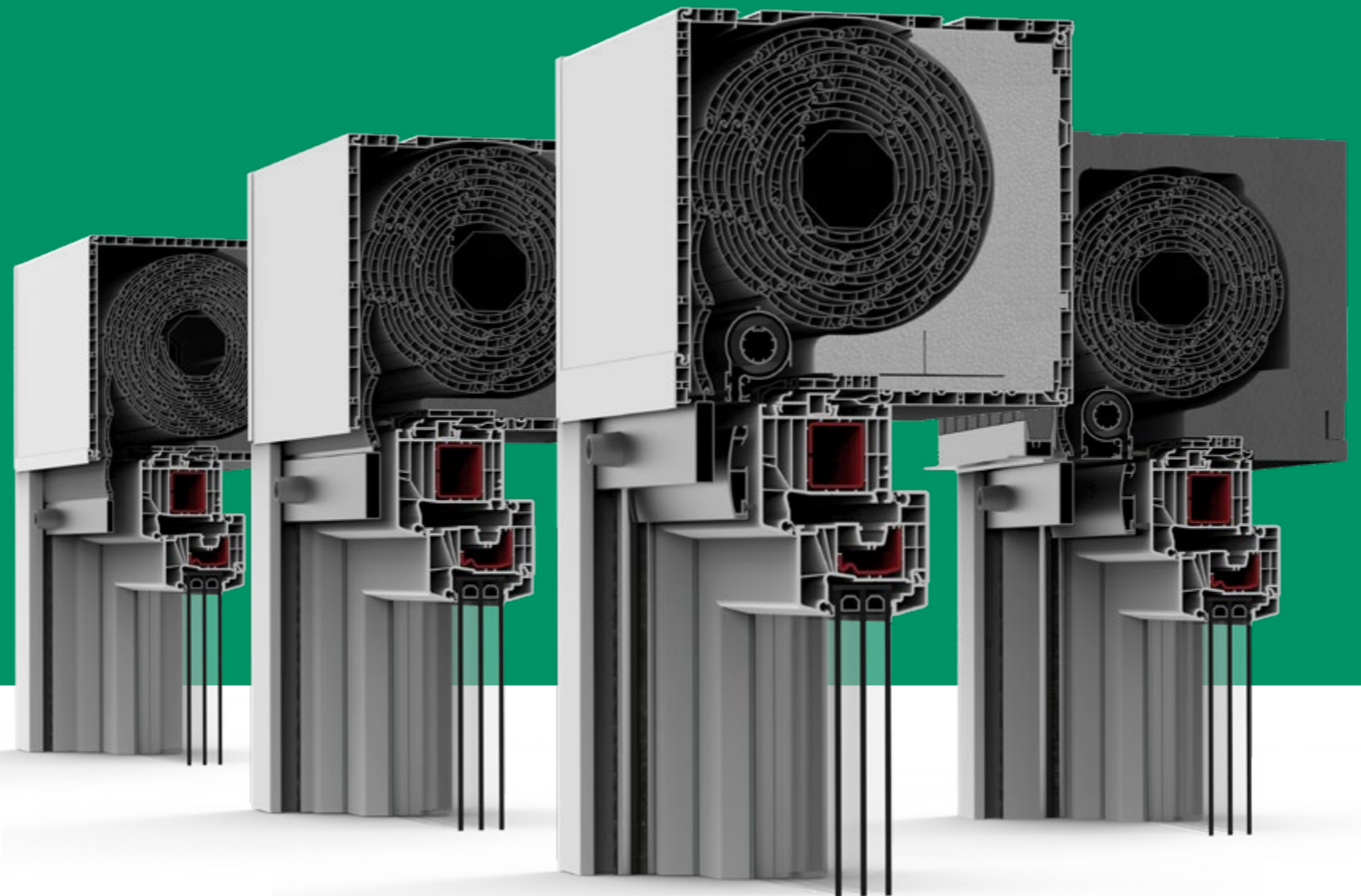


ONE PLATFORM – ALL OPTIONS

# Roller shutter box systems

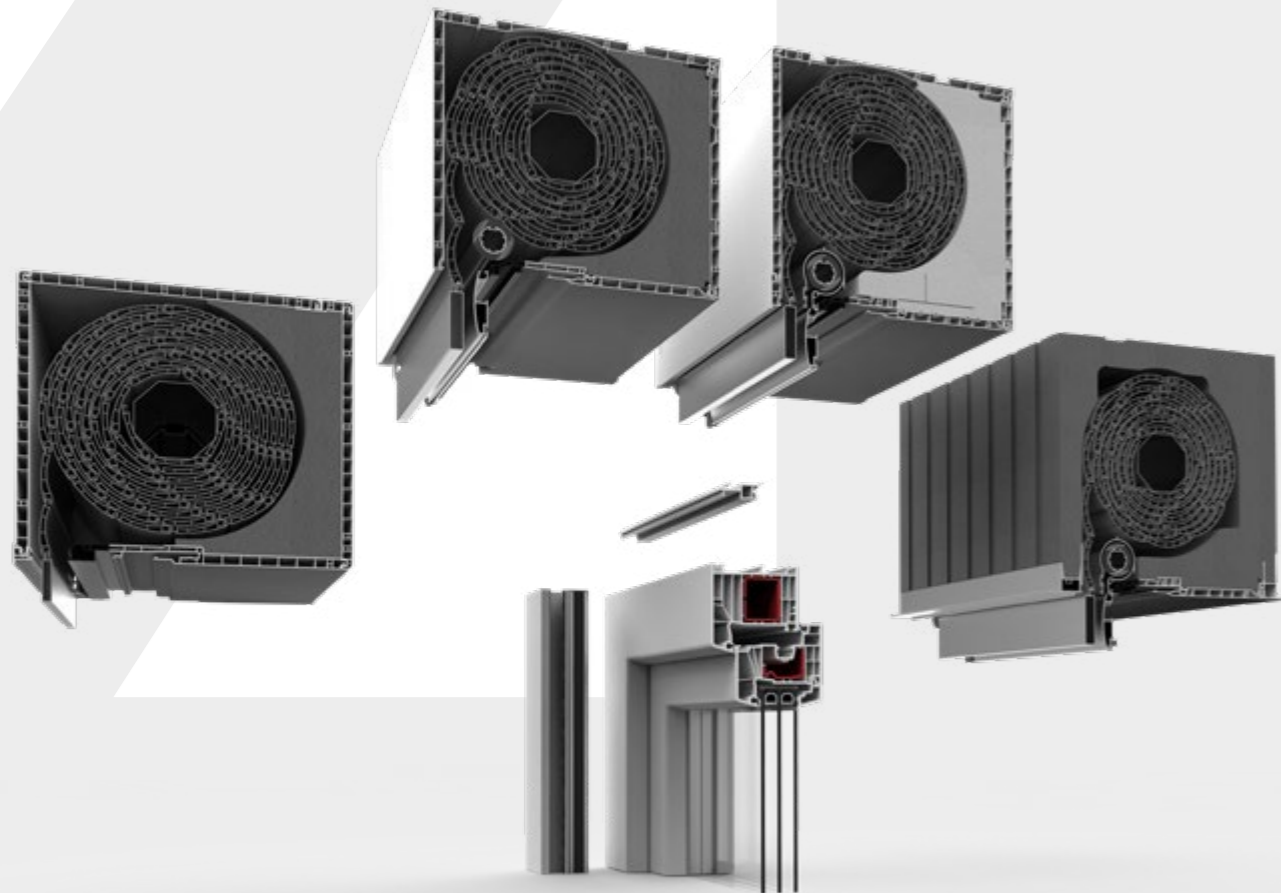
—> Enter the world of EXTE roller shutter box systems. The following pages provide you with comprehensive information and inspiration to help you choose the perfect solutions for your projects.

Our roller shutter box systems represent the highest quality, flexible applications and easy installation. Learn about the many benefits and applications of our products to help you maximize living comfort and energy efficiency.





One platform.  
Four systems.  
All options.

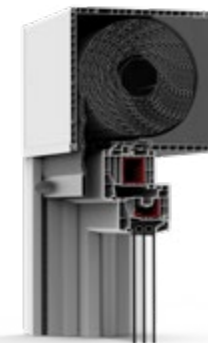


## Unified technology for any application.

### THE XT ROLLER SHUTTER BOX SYSTEMS FROM EXTE

EXTE's XT platform represents the heart of our product innovations and provides a comprehensive foundation for all our systems. This platform is specially designed to maximise efficiency and minimise

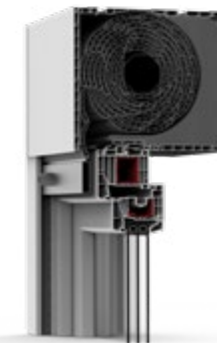
complexity by offering a variety of common parts and simplified assembly processes.



#### **EXAKT XT** THE RENOVATION SYSTEM

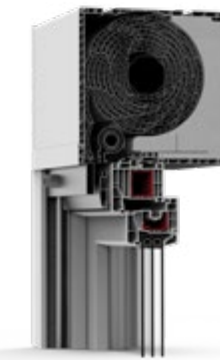
Exakt XT is our response to the growing demand for space-saving and cost-effective solutions.

This system is specially designed for projects for which compliance with size restrictions in accordance with the Building Energy Act (GEG) is decisive.



#### **EXPERT XT** THE PROFESSIONAL SYSTEM

Expert XT stands for absolute efficiency and compactness, ideal for projects where space and budget are crucial. As an inexpensive system, it offers an excellent balance between quality and cost without having to make any compromises in performance.



#### **ELITE XT** THE PREMIUM SYSTEM

Discover the flagship roller shutter box system, known for its versatility and top performance. This premium system combines advanced technology with exceptional design. ELITE XT is the ideal solution for demanding projects.



#### **NEO XT** THE NEW BUILDING SYSTEM

NEO XT represents the pinnacle of innovation at EXTE, specially developed to meet the demanding requirements of new construction.

It combines advanced technology with flexibility and efficiency to enable seamless integration into modern construction projects.



## Our systems at a glance.

	EXAKT XT	EXPERT XT	ELITE XT	NEO XT
Box sizes in mm (HxW)	155 x 181 181 x 206 220 x 240	165 x 220 185 x 220 220 x 255	175 x 220 200 x 220 240 x 220 (x 255) (x 320)	250 x 240 260 x 270 (x 300) (x 365) 290 x 270 (x 300) (x 365)
Types of use New buildings		✓	✓	✓
Types of use Renovations	✓	✓	✓	
External blind types Roller shutters	✓	✓	✓	✓
External blind types Screen	✓	✓	✓	✓
External blind types External venetian blinds			✓	✓
Integration Insect protection screen		✓	✓	✓
Sound insulation values	Up to 43 dB (R <sub>w</sub> value)	up to 45 dB (R <sub>w</sub> value)	up to 48 dB (R <sub>w</sub> value)	up to 46 dB (R <sub>w</sub> value)
Thermal insulation values	U <sub>SB</sub> to 0.85 W/m <sup>2</sup> * K	U <sub>SB</sub> to 0.79 W/m <sup>2</sup> * K	U <sub>SB</sub> to 0.48 W/m <sup>2</sup> * K	U <sub>SB</sub> to 0.31 W/m <sup>2</sup> * K

## Maximum flexibility.

EXTE has been designing roller shutter box systems for decades. The consistent further development of the system concept and platform technology clearly follows the requirements of the market. Rely on ONE system that covers all eventualities.

With the XT platform, we set new standards in the construction industry and offer our customers the flexibility and quality they need for their projects.



### 3 INSPECTION TYPES

EXTE offers three tailor-made inspection types to ensure optimal adaptation to a wide variety of installation needs. Whether front, bottom, or back, each inspection type is carefully designed to enable easy maintenance and accessibility while seamlessly integrating into your building's architecture.



### 3 TYPES OF EXTERNAL BLIND

With the integration of three different types of external blind, EXTE has a suitable solution for every requirement: classic roller shutters for proven protection and privacy, Screen XT for modern, aesthetic light regulation and external venetian blinds, the elegant design option for effective daylight control. Each type of wallpaper combines functionality with style to make your rooms individual and comfortable.



### 4 SYSTEMS

EXTE uses four systems – EXAKT XT, EXPERT XT, ELITE XT and NEO XT – to implement tailor-made solutions for every structural requirement. From the compact EXAKT XT, to the efficient EXPERT XT and the versatile ELITE XT, all the way to the high-quality NEO XT. Each system is designed to bring maximum functionality and aesthetic elegance to your project.

## This is what the XT platform is all about.

### Variety of decorations

Our wide selection of over 400 decors and 9 COEX colors will adapt perfectly to any of your projects.

### Statics XT

Innovative constructions strengthen structural integrity and at the same time offer creative freedom.

### Vento XT

The swing shutter combines effective ventilation with elegant shading in an innovative system.

### Insect protection screen

Effective integrated solutions for protection against insects without having to compromise on aesthetics.

### Lifting and sliding doors

Accessibility meets trend and enriches today's architecture visually and functionally.

### Adapter

Versatile adapters allow seamless integration for a variety of window types.

### Guide rails

Our guide rails are suitable for every type of external blind and thus greatly increase the functionality of the systems.

### Thermal insulation

Systems that increase energy efficiency and comfort through advanced and innovative thermal insulation features.

### Sound insulation

We increase general living comfort and well-being and keep everyday noise outside.

### Smart home

Our systems are compatible with all common manufacturers and offer pure efficiency through automatic shading.

### Assembly processes

Efficiency and precision through thoughtful assembly processes, from bearing washers to box protrusion.

### Warehousing

Four opening variants are possible with a kit, a headpiece, insulation and a fastening handle.

# Our contribution to parts reduction.

## ONE PLATFORM FOR ALL SYSTEMS:

- Bearing washers\*
- Deflector washers\*
- Basic profile\*\*
- Roll-off profiles\*\*
- Adapter
- Special reinforcing bars
- Insect protection screen\*
- Guide rails



\* Not for EXAKT XT \*\* Not for EXAKT XT and EXPERT XT

# Unified technology for any application.

## VERSATILITY MEETS MAXIMUM PERFORMANCE

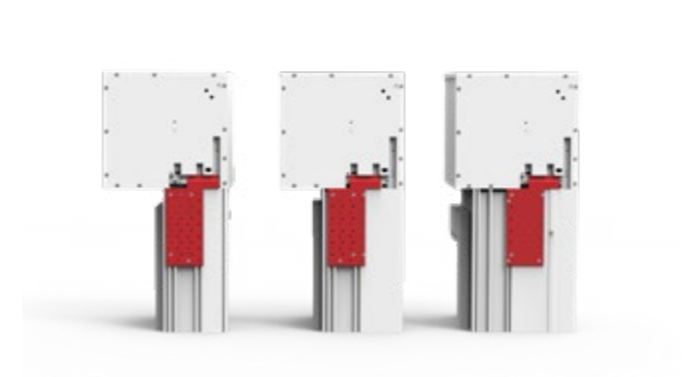
EXTE's XT platform represents the heart of our product innovations and provides a comprehensive foundation for all our systems. This platform is specially designed to maximise efficiency and minimise complexity by offering a variety of common parts and simplified assembly processes.

With the XT platform, a new era in shutter box construction begins: three opening variants are possible with a kit, a headpiece, insulation and a fastening handle. This is based on the design principle of being able to use a component multiple times in different situations.

The XT fastening handle is suitable for every inspection type. This not only reduces warehousing, but also simplifies ordering. The screw connection is made on the side of the frame. The handles fit all window systems.

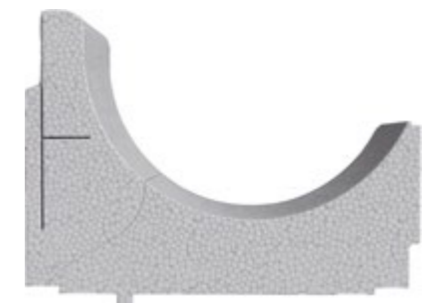
The insulation is also optimally and quickly adapted to different opening variants via marked notches.

The roller shutter box systems from EXTE are characterized by the smallest possible number of parts, which significantly reduces storage.



### One fastening style

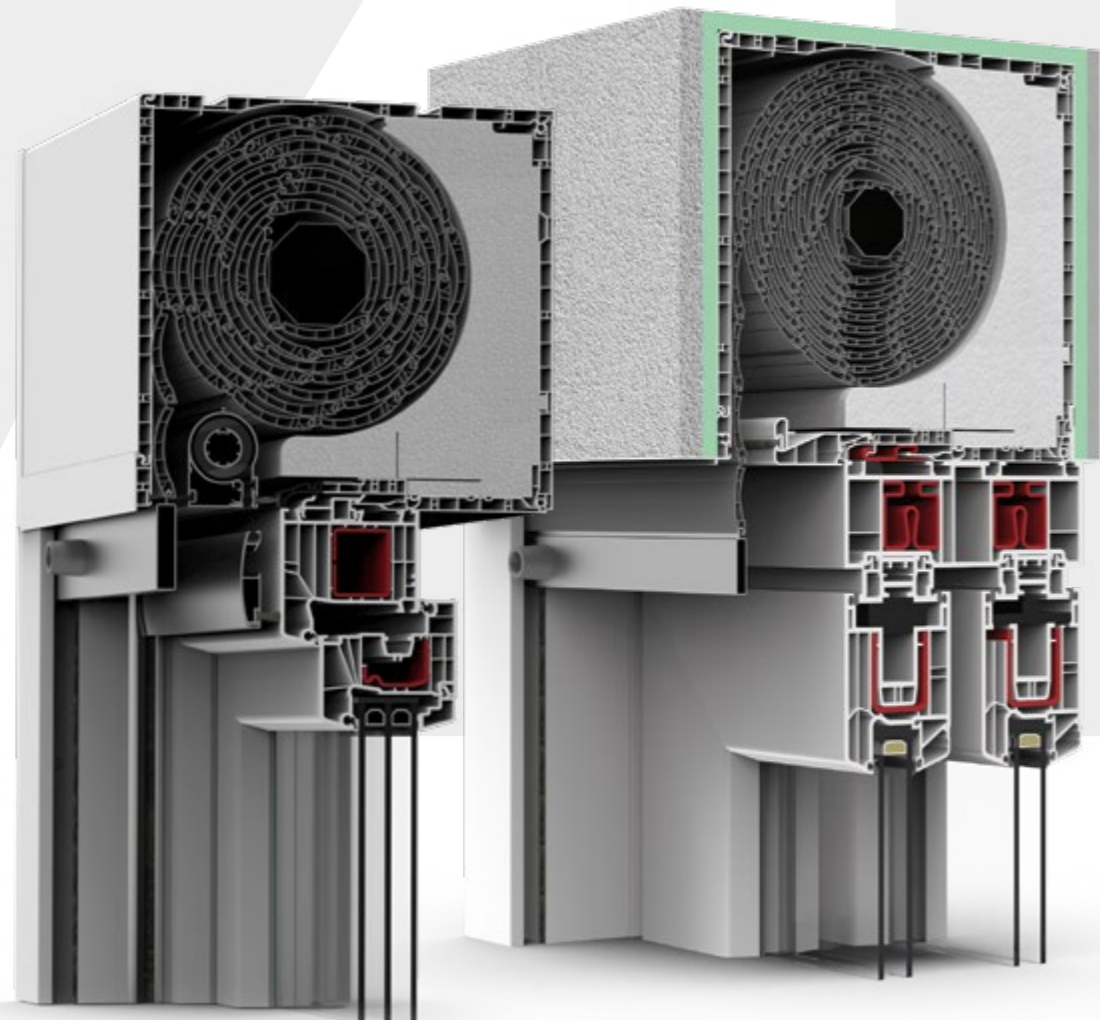
Suitable for all inspection types.



### Adjustable insulation wedge

Easy and quick adjustment using marked notches.

# Features from the XT family.



# VENTO XT – of the swing-out roller shutter.

### EXCELLENT VENTILATION WITH SIMULTANEOUS SHADING.

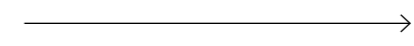
The VENTO XT marks an innovation in roller shutter box systems that redefines both functionality and design. Specially designed to combine excellent room ventilation with effective shading, VENTO XT offers a unique solution that significantly improves the indoor climate. By integrating gas pressure hinges, VENTO XT enables a variable angle of inclination that adjusts automatically as soon as the lock is released. This ensures optimised ventilation without sacrificing comfort and protection from sunlight.

Newly designed aluminium guide rails with integrated hinges ensure the required deployment angle and thus contribute to improved air circulation. The assembly of the VENTO XT is very simple and enables quick integration into existing or new building materials. Its innovative design and high material quality guarantee long-term use and resistance to weather influences.

The VENTO XT is an ideal choice for those who value a healthy indoor climate and do not want to compromise on aesthetics and ease of use. It fits seamlessly into modern smart home concepts and can be easily coupled with common motor manufacturers and smart home control centres. VENTO XT thus offers a future-oriented solution that permanently changes the way we live and interact.

### AVAILABLE FOR THE FOLLOWING SYSTEMS:

- EXAKT XT
- EXPERT XT
- ELITE XT
- NEO XT





## External blind variants in EXTE systems.



### CLASSIC ROLLER SHUTTER. VERSATILE PROTECTION.

The classic roller shutter is a timeless and proven finish for windows and patio doors. Consisting of articulated rods, this roller shutter casing offers protection and privacy. It is available in various materials such as hard PVC and aluminium, often foamed with polyurethane to provide additional insulation and stability.

The classic roller shutter is a versatile solution characterised by durability and functionality, integrating seamlessly into any facade.



### SCREEN XT. WITH FABRIC FOR AN ELEGANT ALTERNATIVE.

Screen-type external blinds offer an innovative alternative to traditional roller shutter casings. With a wide range of customisation options in terms of colours and materials, they set new standards in aesthetics and functionality.

Seamless integration into our EXAKT XT, EXPERT XT, ELITE XT and NEO XT systems ensures crease-free and precise control of the sun protection system. Ideal for large window fronts such as lifting and sliding doors, their lightweight design offers maximum flexibility and extends the design possibilities of living and working spaces.



### EXTERNAL VENETIAN BLINDS. DESIGN MEETS FUNCTIONALITY.

External venetian blinds are more than just a trend – they are a modern solution for daylight control in public, commercial and increasingly residential buildings. Their attractive design fits perfectly with large window fronts and offers an excellent complement to lifting and sliding doors. The ability to implement external venetian blinds in large widths without division makes them a flexible and aesthetically pleasing choice for modern architecture.

With integrated external venetian blind systems, you will experience a new dimension of light control and design.



## Integrated insect protection.

### STRONG SOLUTION WITH HIGH COMFORT

The integrated insect screen sits between the casing and the window. The capacity of the roller shutter box is not dependent on the insect protection screen. This applies to all opening types. The gauze sits together with the spring mechanism in a sturdy aluminium cassette. This allows the insect protection screen to be prepared independently of the box. The cassette simply snaps into place between the inlets in the box.

The window insect protection screen can be retrofitted at any time for boxes with inspection from inside, below and outside up to an element height of 2,550 mm, including box. It's quick and problem-free. The casing guide rails are already equipped for this. After removing a cover, only an aluminium profile is inserted there.

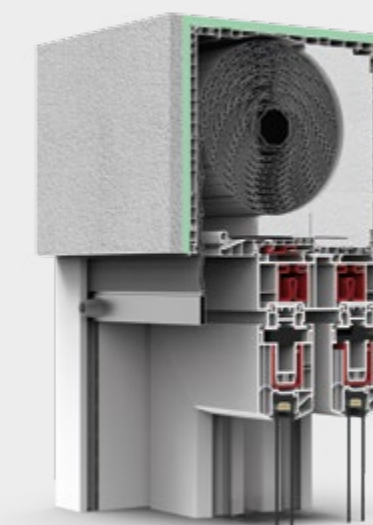


## Lifting and sliding doors. Right on trend.

### ALWAYS ADAPTS TO YOUR CUSTOMER.

Lift and slide doors have become an integral part of today's construction methods. Lift and slide doors have become an integral part of today's construction methods.

With EXTE systems, almost all variations of various installation situations can be implemented through three different inspection types. Whether in standard form with roller shutters or with the screen and external venetian blinds specifically suitable for external blinds of large widths.





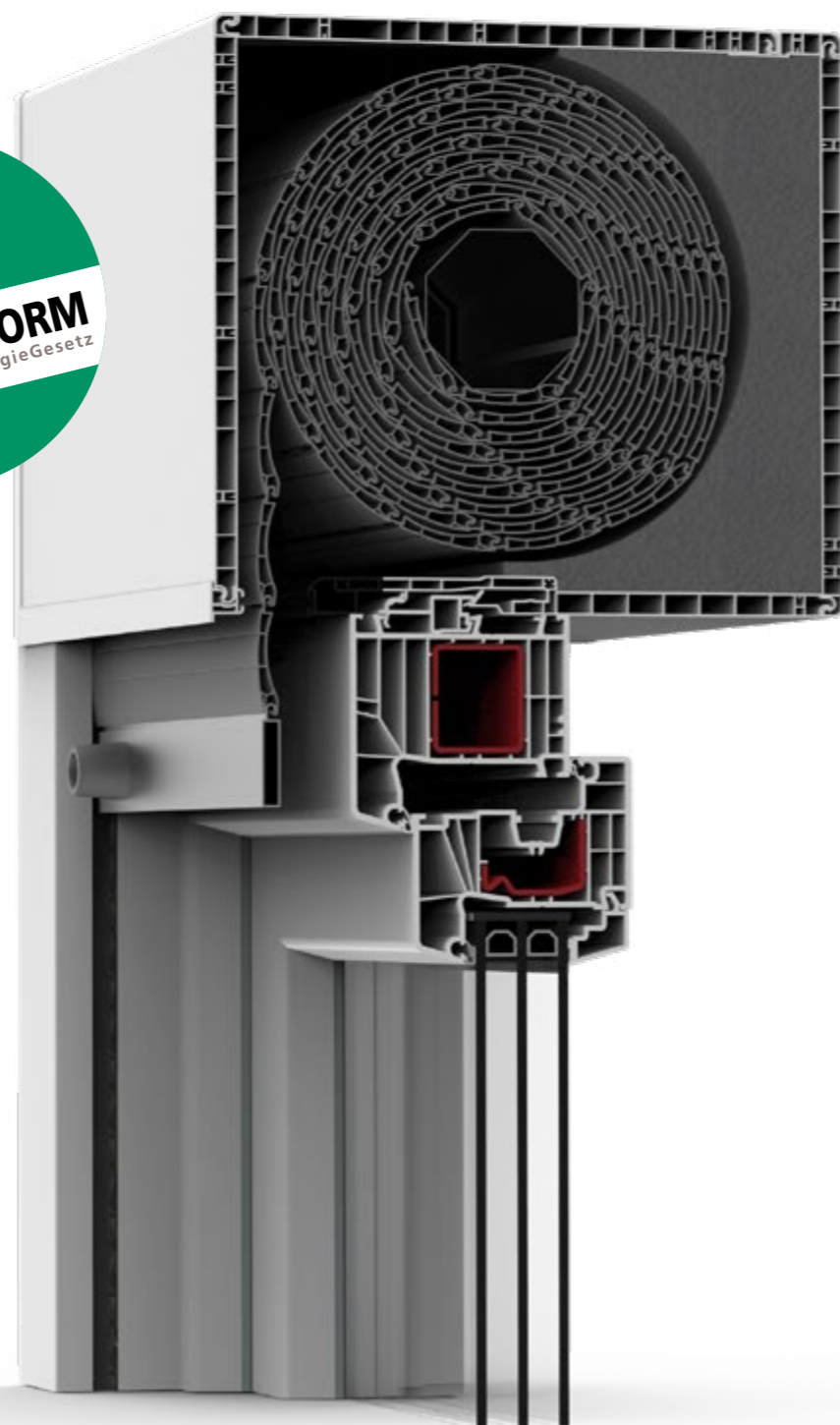
# EXAKT XT

## THE RENOVATION SYSTEM

Exakt XT is our response to the growing demand for space-saving and cost-effective solutions. This system is specially designed for projects for which compliance with size restrictions in accordance with GEG (Building Energy Act) is decisive.



- ✓ Perfect solution for renovation
- ✓ Classic version as an attachment box
- ✓ Maximum-sized inspection opening



# Maximum accessibility.

Discover the latest innovation in roller shutter boxes: The EXTE EXAKT XT roller shutter box system sets new standards in terms of accessibility and ease of maintenance.

## THE INNOVATION FOR THE HIGHEST ADDED VALUE

The EXTE EXAKT XT roller shutter box system, designed as a flexible platform principle, offers a tailor-made solution especially in the classic top box variant for renovation projects. This system is characterised by the possibility of opening the inner panel, which creates a maximum inspection opening. This design facilitates access for maintenance, repair or upgrade work and enables fast and uncomplicated execution.



## At a glance

### BOX SIZES (IN MM)

155 x 181 | 181 x 206 | 220 x 245

### TYPES OF USE

Renovations

### EXTERNAL BLIND TYPES

Roller shutter, screen

### INSPECTION TYPES

Inside

### EXTERNAL BLIND HEIGHTS

Mini-casing: up to 3,000 mm

Maxi-casing: up to 2,500 mm

ZIP screen: up to 3,300 mm

### GUIDE RAILS

35 x 51 | 60x51 (inspection from inside)

### SOUND INSULATION VALUES

Up to 43 dB

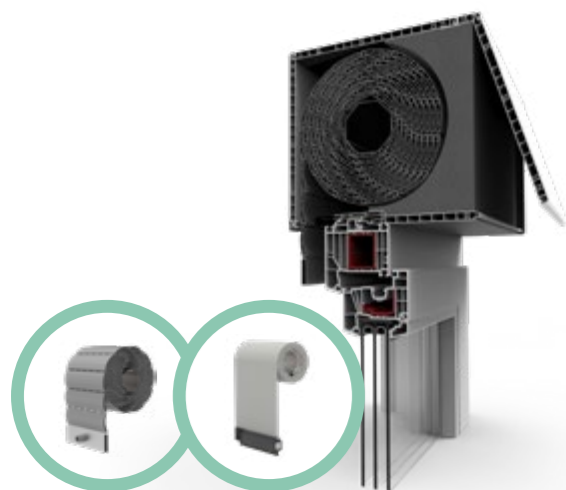
### THERMAL INSULATION VALUES

$U_{SB}$  to 0.77 W/m<sup>2</sup>\*K

# Inspection from inside made easy.

EXTEs EXAKT XT system revolutionises the market with outstanding accessibility and ease of use in maintenance. With its platform principle, the EXTE EXAKT XT roller shutter box system offers a perfect solution for renovation.

This user-friendly design ensures efficient accessibility for repairs or upgrades without compromising aesthetics or functionality.



## INSPECTION FROM THE INSIDE

In the classic version as an attachment box for renovation, the inner panel is opened. This results in a maximum-sized inspection opening.

### Possible external blind types:

Roller shutter, screen

## Efficient heat and sound insulation.

Box size	R <sub>SB</sub> U-value	f <sub>Rsi</sub> value	Rw (dB)
155 x 181 mm	up to 0.79	up to 0.72	up to 41
181 x 206 mm	up to 0.79	up to 0.71	up to 43
220 x 245 mm	up to 0.79	up to 0.70	up to 43

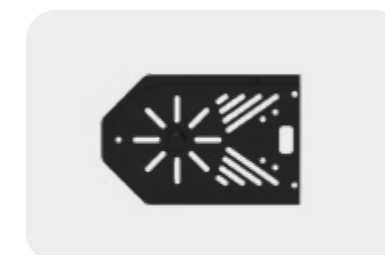


## EXTERNAL BLIND DIMENSIONS FOR INSPECTION FROM INSIDE

Box size	155 x 181 mm	181 x 206 mm	220 x 245 mm
Mini casing SW 40	up to 1,150 mm*	up to 2,200 mm*	up to 3,650 mm*
Maxi casing SW 60	up to 750 mm*	up to 1,200 mm*	up to 2,200 mm*
ZIP screen	up to 3,300 mm*	up to 3,300 mm*	up to 3,300 mm*

\* max. Element height, including box. All element heights are guide values which, depending on the application, must be checked by the box manufacturer. We do not assume any warranty for the stated values.

## The product features of the EXAKT XT.



### STORAGE

Bearing plate with slide function for the universal fastening of motors, crank gears and belt hoist controls.



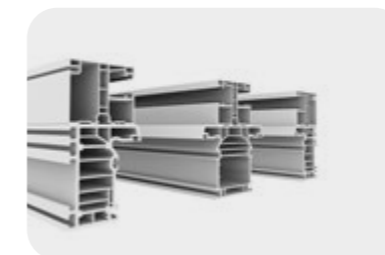
### STATIC

Special reinforcing iron and static consoles in the multi-level static concept, for wide elements for secure fastening of the window in the lintel or the ceiling.



### LIFTING SLIDING DOOR

**Max. Frame width:**  
Inspection from inside type up to 190 mm



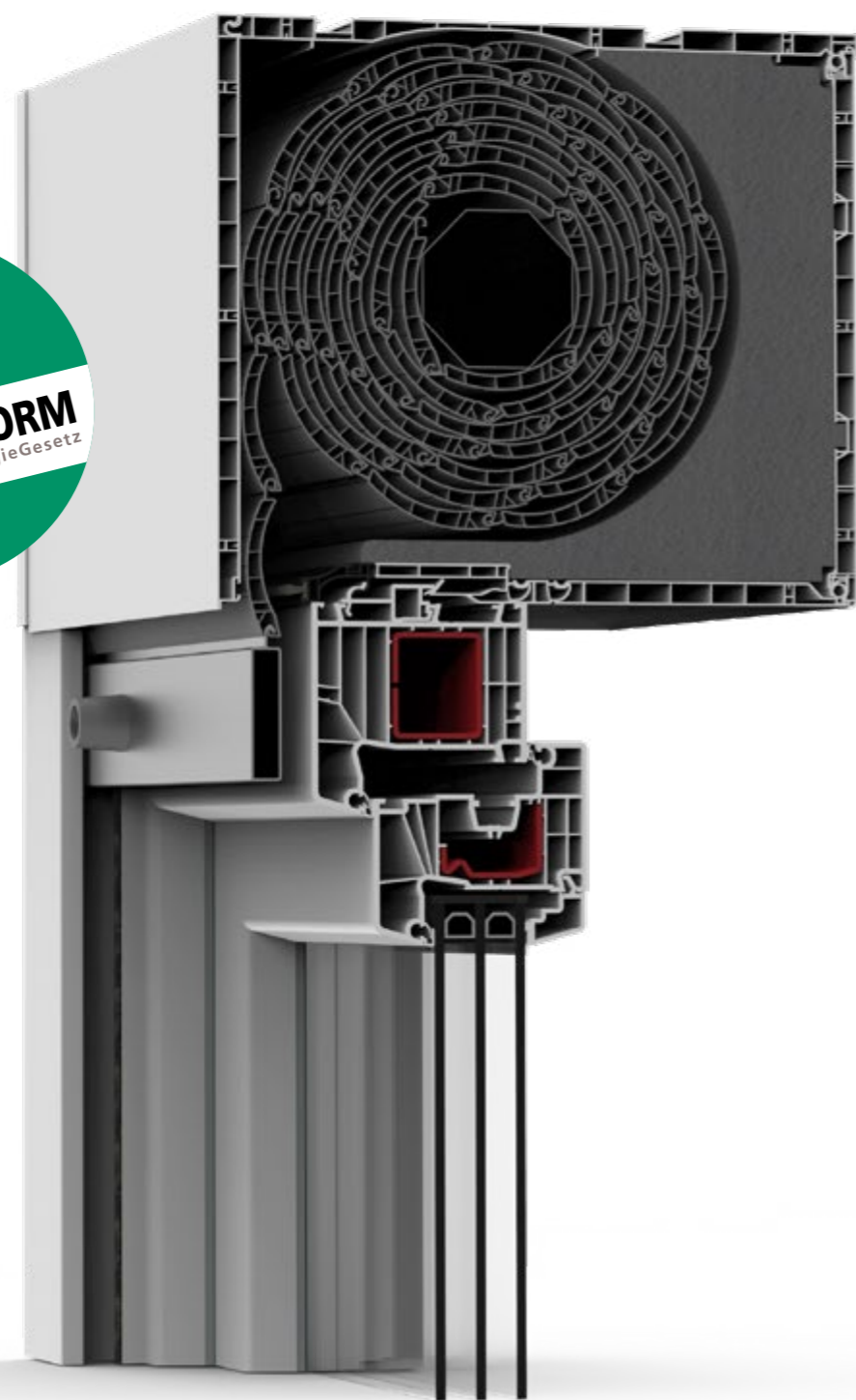
### GUIDE RAILS

35 x 51 and 60 x 51 in PVC or ALUMINIUM

# EXPERT XT

## THE PROFESSIONAL SYSTEM

With variable opening inwards or downwards, the EXTE EXPERT XT is ideal for renovations. Small and compact, the roller shutter box meets all requirements when maximum comfort is required in the smallest of spaces.



- ✓ One kit, two opening types
- ✓ Excellent balance between quality and cost without any compromises

# New generation renovation box.

The XT family has grown: with variable opening inwards or downwards, the EXTE EXPERT XT is ideal for renovations. Small and compact, the roller shutter box meets all requirements when maximum comfort is required in the smallest of spaces. Not only is the insect screen between the curtain and the window ideal for this, but the option of plastering over the box on the inside and outside also

increases the benefits of use. Intelligent details such as the universal bearing plate or identical parts within the XT series create additional benefits for fabricators. Of course, the EXTE EXPERT XT meets all the requirements of the equipment and products safety law (GEG).



## COMPACT. EFFICIENT. VARIABLE.

The EXPERT XT is available in 3 box sizes for optimal adaptation to the respective construction situation.

## At a glance

### BOX SIZES (IN MM)

165 x 220 | 185 x 220 | 220 x 255

### TYPES OF USE

Renovation and new buildings

### EXTERNAL BLIND TYPES

Roller shutter, screen

### INSPECTION TYPES

From inside, below

### EXTERNAL BLIND HEIGHTS

Mini-casing: up to 3,500 mm

Maxi-casing: up to 2,800 mm

ZIP screen: up to 3,300 mm

### GUIDE RAILS

60 x 35

35 x 51 | 60 x 51 (inspection from below/inside)

### SOUND INSULATION VALUES

Up to 45 dB

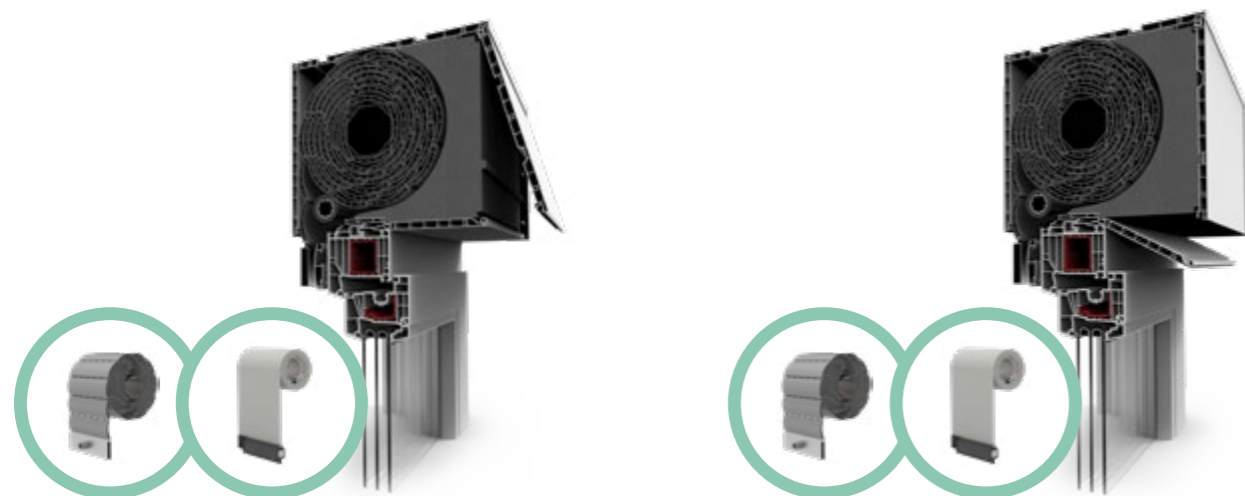
### THERMAL INSULATION VALUES

$R_{SB}$  U-value up to 0.79 W/m<sup>2</sup>\*K

## Inspection types for the EXPERT XT.

With its platform principle, the EXTE EXPERT XT roller shutter box system offers a perfect solution for every situation. The inspection access of our roller shutter box systems is designed to enable fast and uncomplicated maintenance.

This user-friendly design ensures efficient accessibility for repairs or upgrades without compromising aesthetics or functionality.



### INSPECTION FROM THE INSIDE

The EXTE EXPERT XT continues the platform principle of the XT roller shutter box systems and offers a perfect solution for every renovation task.

In the classic version as an attachment box, the inner panel is opened. This results in a large inspection opening.

#### Possible external blind types:

Roller shutter, screen

### INSPECTION FROM BELOW

The EXTE EXPERT XT is also convincing as an attachment box in new buildings, because the box that can be completely plastered over has a separate inspection panel that can be opened downwards. This means that the inner panel can be provided with end brackets and easily plastered over. Frames are possible up to a depth of 92 mm.

#### Possible external blind types:

Roller shutter, screen

## Efficient heat and sound insulation.

Box size	R <sub>SB</sub> U-value	f <sub>Rsi</sub> value	Rw (dB)
165 x 220 mm	up to 0.82	up to 0.71	up to 40
185 x 220 mm	up to 0.81	up to 0.70	up to 42
220 x 255 mm	up to 0.82	up to 0.71	up to 45



### EXTERNAL BLIND DIMENSIONS FOR INSPECTION FROM INSIDE AND OUTSIDE

Box size	165 x 220 mm	185 x 220 mm	220 x 255 mm
Mini casing SW 40	up to 1,750 mm*	up to 2,500 mm*	up to 3,500 mm*
Maxi casing SW 60	up to 1,200 mm*	up to 1,850 mm*	up to 2,800 mm*
ZIP screen	up to 3,300 mm*	-	up to 3,300 mm*

\* max. Element height, including box. All element heights represent guideline values, which are determined by the manufacturer depending on the box application must be checked by the box manufacturer. We do not assume any warranty for the stated values. When using insect protection, the max. element height is reduced to max. 1850 mm.



## The product features of the EXPERT XT.



### STORAGE

Bearing washers with roll-off function for the universal fastening of motors, crank gears and belt hoist controls.



### INSECT PROTECTION SCREEN

Integrated window insect protection up to 1,800 mm element height



### STATIC

Special reinforcing iron and static consoles in the multi-level static concept for wide elements for secure fastening of the window in the lintel or the ceiling.



### LIFTING SLIDING DOOR

#### Max. Frame width:

Inspection from inside type up to 200 mm



### GUIDE RAILS

60 x 35, 35 x 51 and 60 x 51 in PVC or ALUMINIUM.



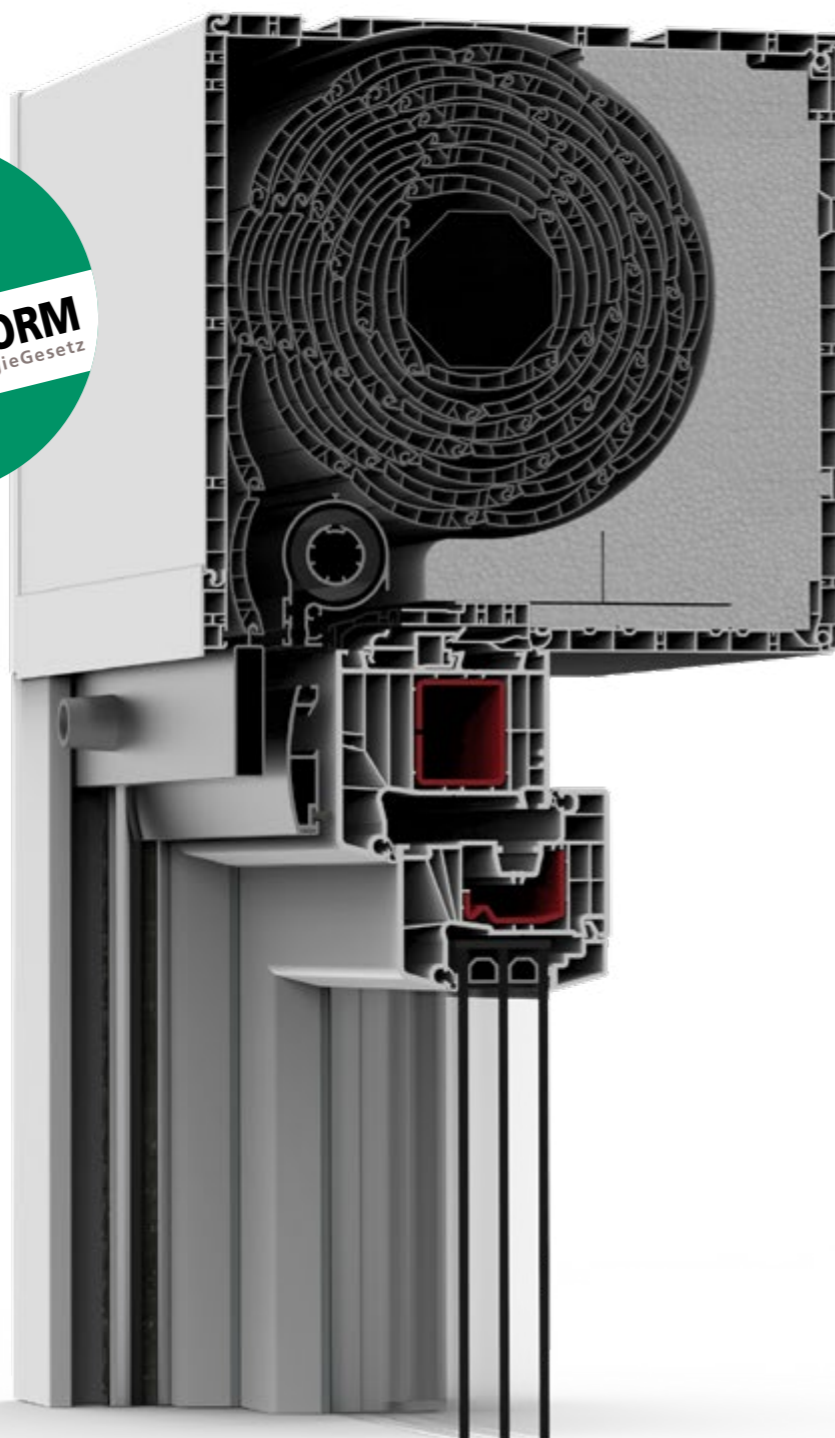
# ELITE XT

## THE PREMIUM SYSTEM

With the EXTE ELITE XT, all designs can be realised with just one system platform. This opens up new business areas, e.g. through the use of external venetian blinds and inspection from outside in the attachment box.



- ✓ Maximum flexibility, minimum number of parts
- ✓ Reduced warehousing
- ✓ One kit, four opening types



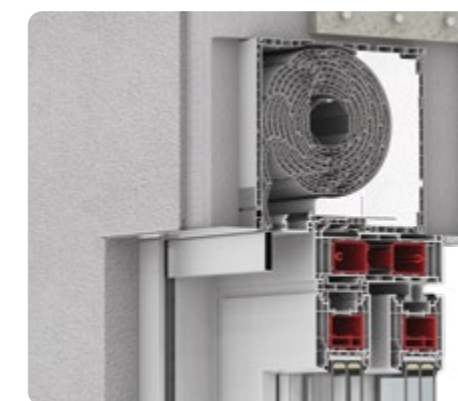
# Fascinating options.

EXTE has been designing roller shutter box systems for decades. The consistent further development of the system concept and platform technology clearly follows the requirements of the market. With the EXTE ELITE XT, all designs can be realised with just one system platform. This opens up new business areas, e.g. through the use of external venetian blinds and inspection from outside in the attachment box.

The completely redesigned drive bearing, the variable guide rail, the easy-to-assemble solutions for coupling, dividing and offset intake as well as the cassette solution for insect protection screens for windows and doors also create strong advantages. With the EXTE ELITE XT, a pioneering roller shutter box system with maximum flexibility is now available for the first time.

## TECHNICAL INNOVATIONS FOR THE HIGHEST VALUE CREATED

Several years of development work have gone into the EXTE ELITE XT roller shutter system. The central result is the concept of variable opening downwards, inwards and outwards as well as external venetian blinds. The fascinating thing about this solution is also its simplicity: regardless of the inspection type, the capacity for the external blind is the same for all types of opening. It does not matter whether an insect repellent is used or not. This guarantees EXTE's partners a clear advantage in the market.



Inspection from outside perfectly integrated

## At a glance

### BOX SIZES (IN MM)

175x220 | 200x220 | 240x220 | 240x255  
240x320

### TYPES OF USE

Renovation and new buildings

### EXTERNAL BLIND TYPES

Roller shutter, screen, external venetian blind

### INSPECTION TYPES

From inside, below, outside

### GUIDE RAILS

35x51 | 60x51 (inspection from below/inside)  
35x86 | 60x86 (inspection from outside)  
60x132 (external venetian blinds)

### EXTERNAL BLIND HEIGHTS

Mini-casing: up to 3,500 mm  
Maxi-casing: up to 2,800 mm  
ZIP screen: up to 3,300 mm  
External venetian blind 80 mm flanged:  
up to 2,700 mm

### SOUND INSULATION VALUES

Up to 48 dB

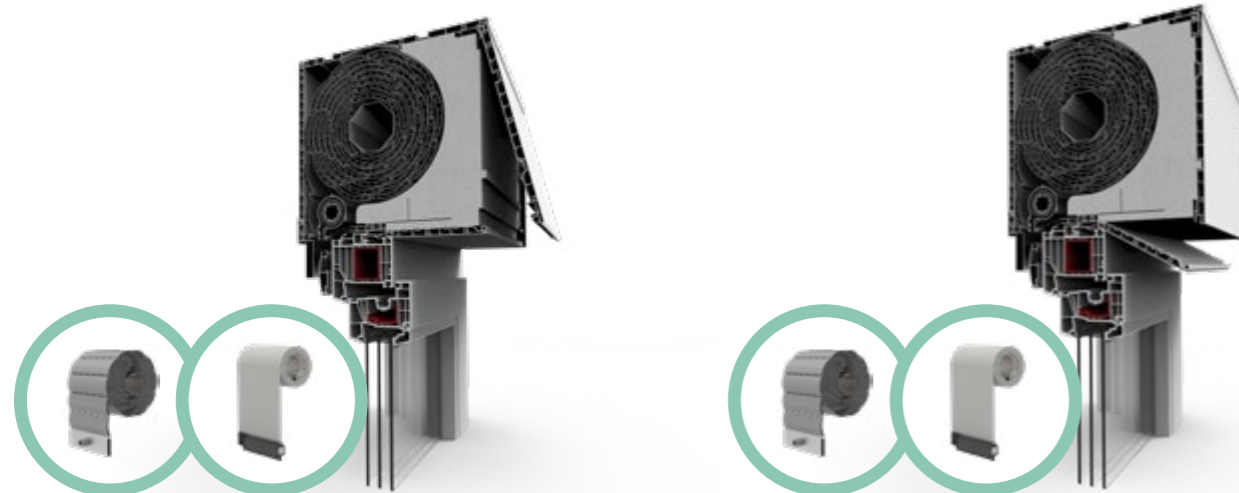
### THERMAL INSULATION VALUES

RSB U-value to 0.48 W/m<sup>2</sup> \*K

## Revision types for the ELITE XT.

With its platform principle, the EXTE ELITE XT roller shutter box system offers a perfect solution for every situation. The inspection access of our roller shutter box systems is designed to enable fast and uncomplicated maintenance.

This user-friendly design ensures efficient accessibility for repairs or upgrades without compromising aesthetics or functionality.



### INSPECTION FROM THE INSIDE

In the classic version as an attachment box for renovation, the inner panel is opened. This results in a maximum-sized inspection opening. The aluminium cassette with insect protection is either pre-assembled or can be retrofitted in the simplest way if necessary.

#### Possible external blind types:

Roller shutter, screen

### INSPECTION FROM BELOW

The ELITE XT is also convincing as an attachment box in new buildings. This is because the plastering-over solution is ensured thanks to inspection from below. Frame depths are possible up to 92 mm. The inspection opening is still 100 mm.

#### Possible external blind types:

Roller shutter, screen

## Efficient heat and sound insulation.

Box size	R <sub>SB</sub> U-value	f <sub>Rsi</sub> value	R <sub>w</sub> (dB)
175 x 220 mm	up to 0.84	up to 0.71	up to 42
200 x 220 mm	up to 0.84	up to 0.72	up to 43
240 x 220 mm	up to 0.73	up to 0.70	up to 48
240 x 255 mm	up to 0.73	up to 0.70	up to 48
240 x 320 mm	up to 0.73	up to 0.70	up to 48



### FOR INSPECTION FROM INSIDE, OUTSIDE, AND BELOW

Box size	175 x 220 mm	200 x 220 mm	240 x 220 / 255 / 320 mm
Mini casing SW 40	up to 1,700 mm*	up to 2,500 mm*	up to 3,500 mm*
Maxi casing SW 60	up to 1,200 mm*	up to 1,850 mm*	up to 2,800 mm*
ZIP screen	-	-	up to 3,300 mm*

\* max. Element height, including box. All element heights are guide values which, depending on the application, must be checked by the box manufacturer. We do not assume any warranty for the stated values.

## The product features of the ELITE XT.



### STORAGE

Bearing washers with roll-off function for the universal fastening of motors, crank gears and belt hoist controls.



### INSECT PROTECTION SCREEN

Integrated window insect protection with ALUMINIUM cassette up to 2,550 mm element height



### STATIC

Special reinforcing iron and static consoles in the multi-level static concept, for wide elements for secure fastening of the window in the lintel or the ceiling.



### LIFTING SLIDING DOOR

#### Max. Frame width:

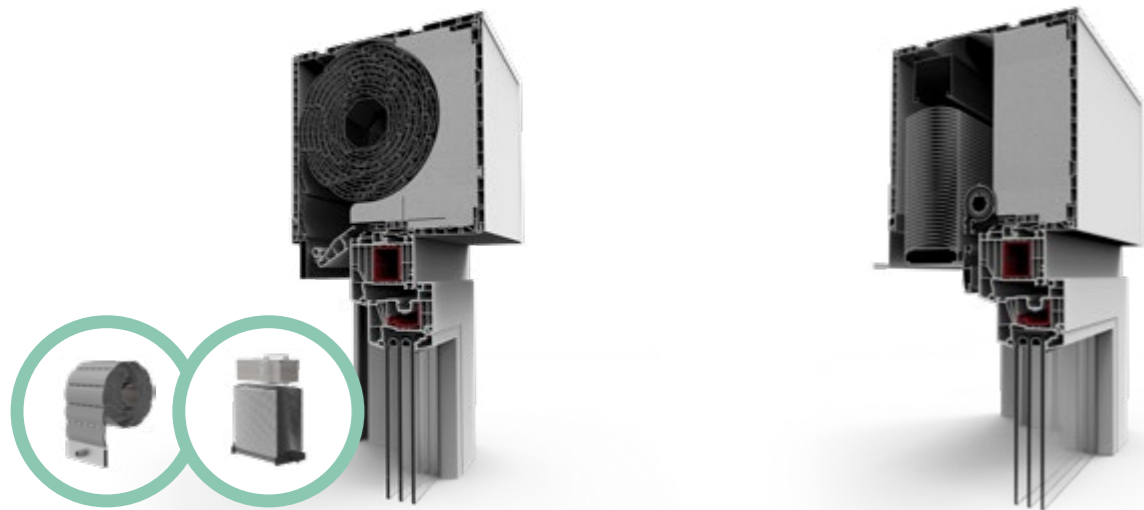
Inspection from inside type: up to 200 mm  
Inspection type from below: up to 180 mm



### GUIDE RAILS

35 x 51, 60 x 51, in PVC or ALUMINIUM

# Inspection from outside and external venetian blinds.



### INSPECTION FROM THE OUTSIDE

If maximum airtightness is required for passive houses or public buildings, the ELITE XT roller shutter box system also offers an optimal solution with a inspection from outside. By simply shifting the base profile, the box can be completely cleaned inside and sealed airtight.

#### Possible external blind types:

Roller shutter, external venetian blinds

### EXTERNAL VENETIAN BLINDS IN THE ELITE XT

With the roller shutter attachment system EXTE ELITE XT, EXTE offers an integrated solution that is easy to install and can be completely plastered over. In addition to clear advantages in construction costs, time savings and maintenance, the system solution also makes a positive contribution to trade integration. With the window supplier, the client and architect only have one contact person.

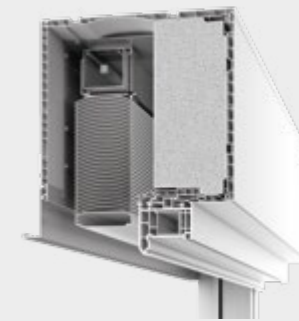
### FOR THE EXTERNAL VENETIAN BLIND SOLUTION

**Box size** **240 x 255 mm**

External panel 240 mm up to 2,000 mm\*

External panel 280 mm up to 2,700 mm\*

\* max. Element height, including box with 80 mm beaded lamella.



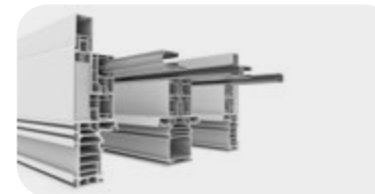
**External venetian blinds** can be plastered inside and outside.

## The product features of the ELITE XT.



### LIFTING SLIDING DOOR

**Max. Frame width:**  
all widths are possible



### GUIDE RAILS

35 x 86, 60 x 86 and 60 x 132, in PVC or ALUMINIUM

## Efficient heat and sound insulation.

Box size	R <sub>SB</sub> U-value	f <sub>RSi</sub> value	R <sub>w</sub> (dB)
175 x 220 mm	up to 0.75	up to 0.71	up to 43
200 x 220 mm	up to 0.75	up to 0.72	up to 43
240 x 220 mm	up to 0.48	up to 0.70	up to 46
240 x 225 mm	up to 0.48	up to 0.70	up to 46





# NEO XT

## THE NEW BUILDING SYSTEM

The EXTE NEO XT represents the pinnacle of innovation at EXTE, specially developed to meet the demanding requirements of new buildings. It combines advanced technology with flexibility and efficiency to enable seamless integration into modern construction projects.



- ✓ Solution that can be plastered over for new buildings
- ✓ 100% Airtight
- ✓ Excellent thermal insulation values



# Innovation meets efficiency.

## NEO XT DEFINES THE STANDARDS FOR MODERN ROLLER SHUTTER BOX SYSTEMS.

By integrating the latest technologies into the design, NEO XT offers an exceptional combination of performance, reliability and aesthetics. Developed to meet the requirements of modern construction, NEO XT sets new standards in functionality and design.

**Energy efficiency:** NEO XT roller shutter box systems significantly contribute to the energy efficiency of the building. Through improved insulation properties, they minimise energy loss, leading to a significant reduction in heating and cooling costs.

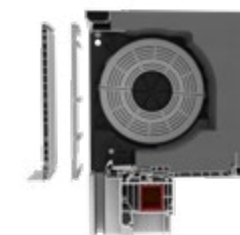
**Automation compatibility:** Fully compatible with the leading smart home systems, NEO XT enables seamless integration into your existing home automation system. Control your roller shutters conveniently via smartphone, tablet or voice assistant and create optimal light conditions at any time of day.

**Robust construction:** Built to last – NEO XT uses high-quality materials that deliver outstanding durability and resistance to weathering. The solid construction ensures long-lasting functionality and reliability.

**Easy installation and maintenance:** The well thought-out design not only facilitates installation, but also maintenance and access for repairs. This saves time and costs and makes NEO XT a cost-effective solution.

**Enhanced sound insulation:** Through innovative insulation technologies, NEO XT offers an effective reduction in outdoor noise, leading to a quieter and more pleasant living or working environment.

**Clinker variant:** The NEO XT can also be implemented as a classic half-shell for clinker buildings in the box heights 250 and 260. Optionally with PVC or aluminium external panel.



## At a glance

### BOX SIZES (IN MM)

250 x 240 | 260 x 270 (300, 365)  
290 x 270 (300, 365)

### TYPES OF USE

New buildings

### EXTERNAL BLIND TYPES

Roller shutter, screen, external venetian blind

### INSPECTION TYPES

from below, outside

### GUIDE RAILS

35 x 51, 60 x 51, 60 x 35, (inspection from below)  
35 x 86, 60 x 86 (inspection from outside)  
60 x 132 (external venetian blinds)

### EXTERNAL BLIND HEIGHTS

Mini-casing: up to 3,900 mm  
Maxi-casing: up to 2,850 mm  
ZIP screen: up to 3,300 mm  
External venetian blind 80 mm flanged:  
up to 2,700 mm

### SOUND INSULATION VALUES

up to 46 dB

### THERMAL INSULATION VALUES

RSB U-value to 0.31 W/m<sup>2</sup> \*K

# Inspection types for the NEO XT.

With its platform principle, the EXTE NEO XT roller shutter box system offers a perfect solution for every situation. The inspection access of our roller shutter box systems is designed to enable fast and uncomplicated maintenance.

This user-friendly design ensures efficient accessibility for repairs or upgrades without compromising aesthetics or functionality.



## INSPECTION FROM BELOW

For passive houses and public buildings where maximum airtightness is a must, the EXTE NEO XT roller shutter system with inspection from below is the ideal choice.

The inner panel can be provided with plaster brackets and plastered over. Frame depths are possible up to 92 mm. The inspection opening is still 100 mm. This is enough for all assembly or disassembly work that takes place.

**Possible external blind types:**  
Roller shutter, screen

## Efficient heat and sound insulation.

Box size	R <sub>SB</sub> U-value	f <sub>Rsi</sub> value	R <sub>w</sub> (dB)
250 x 240 mm	up to 0.52	up to 0.75	up to 41
260 x 270 mm	up to 0.31	up to 0.74	up to 43
260 x 300 mm	up to 0.31	up to 0.73	up to 43
260 x 365 mm	up to 0.31	up to 0.73	up to 43
290 x 270 mm	up to 0.34	up to 0.74	up to 43
290 x 300 mm	up to 0.34	up to 0.73	up to 43
290 x 365 mm	up to 0.34	up to 0.73	up to 43

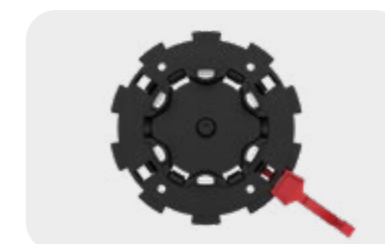


## LOWER BLIND DIMENSIONS FOR INSPECTION FROM BELOW

Box size	250x240 mm	260x270 mm	290x270 mm
Mini casing SW 40	up to 3,500 mm*	up to 3,500 mm*	up to 3,500 mm*
Maxi casing SW 60	up to 2,850 mm*	up to 2,850 mm*	up to 2,850 mm*
ZIP screen	up to 3,300 mm	up to 3,300 mm	up to 3,300 mm

\* max. Element height, including box. All element heights are guide values which, depending on the application, rod or external venetian blind must be checked by the box manufacturer. We do not assume any warranty for the stated values.

## The product features of the NEO XT.



### STORAGE

Bearing washers with roll-off function for the universal fastening of motors, crank gears and belt hoist controls.



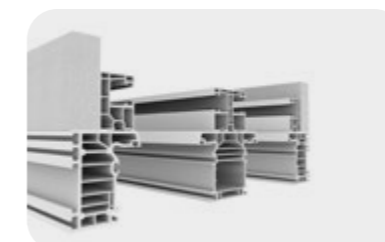
### INSECT PROTECTION SCREEN

Integrated window insect protection with ALUMINIUM cassette up to 2,550 mm element height.



### STATIC

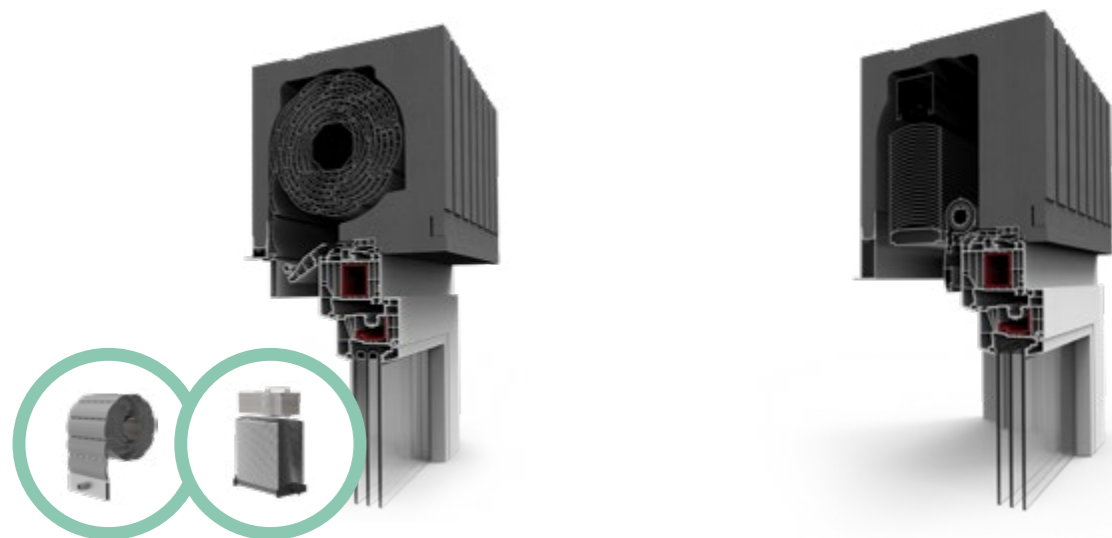
Special reinforcing iron and static consoles in the multi-level static concept, for wide elements for secure fastening of the window in the lintel or the ceiling.



### GUIDE RAILS

60 x 35, 35 x 51, 60 x 51, in PVC or ALUMINIUM

# Inspection from outside and external venetian blinds.



## INSPECTION FROM THE OUTSIDE

If maximum airtightness is required for passive houses or public buildings, the EXTE NEO XT roller shutter box system also offers an optimal solution with an inspection from outside. This is achieved by offsetting the basic profile. This allows the box to be completely cleaned inside and sealed airtight.

### Possible external blind types:

Roller shutter, external venetian blinds

## EXTERNAL VENETIAN BLINDS IN THE NEO XT

With the EXTE NEO XT roller shutter box system, EXTE offers an integrated solution that is easy to install and can be completely plastered over. In addition to clear advantages in construction costs, time savings and maintenance, the system solution also makes a positive contribution to trade integration. With the window supplier, the client and architect only have one contact person.

## Efficient heat and sound insulation.

Box size	R <sub>SB</sub> U-value	f <sub>Rsi</sub> value	Rw (dB)
250 x 240 mm	up to 0.52	up to 0.81	up to 41
260 x 270 mm	up to 0.31	up to 0.77	up to 43
260 x 300 mm	up to 0.31	up to 0.76	up to 43
260 x 365 mm	up to 0.31	up to 0.76	up to 43
290 x 270 mm	up to 0.34	up to 0.76	up to 43
290 x 300 mm	up to 0.34	up to 0.76	up to 43
290 x 365 mm	up to 0.34	up to 0.75	up to 43



## EXTERNAL BLIND DIMENSIONS FOR INSPECTION FROM OUTSIDE

Box size	250x240 mm	260x270 mm	290x270 mm
Mini casing SW 40	up to 3,500 mm*	up to 3,500 mm*	up to 3,500 mm*
Maxi casing SW 60	up to 2,850 mm*	up to 2,850 mm*	up to 2,850 mm*
External venetian blinds 80 mm	up to 2,700 mm*	up to 2,700 mm*	up to 2,700 mm*

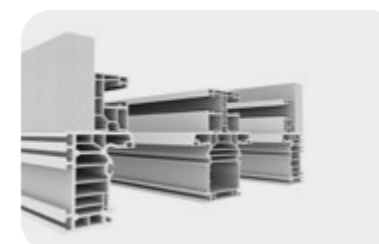
\* max. Element height, including box. All element heights are guide values which, depending on the application, rod or external venetian blind must be checked by the box manufacturer. We do not assume any warranty for the stated values.

## The product features of the NEO XT.



### LIFTING SLIDING DOOR

**Max. Frame width:**  
Inspection type outside, all widths are possible



### GUIDE RAILS

35 x 86, 60 x 86 and 60 x 132, in PVC or ALUMINIUM



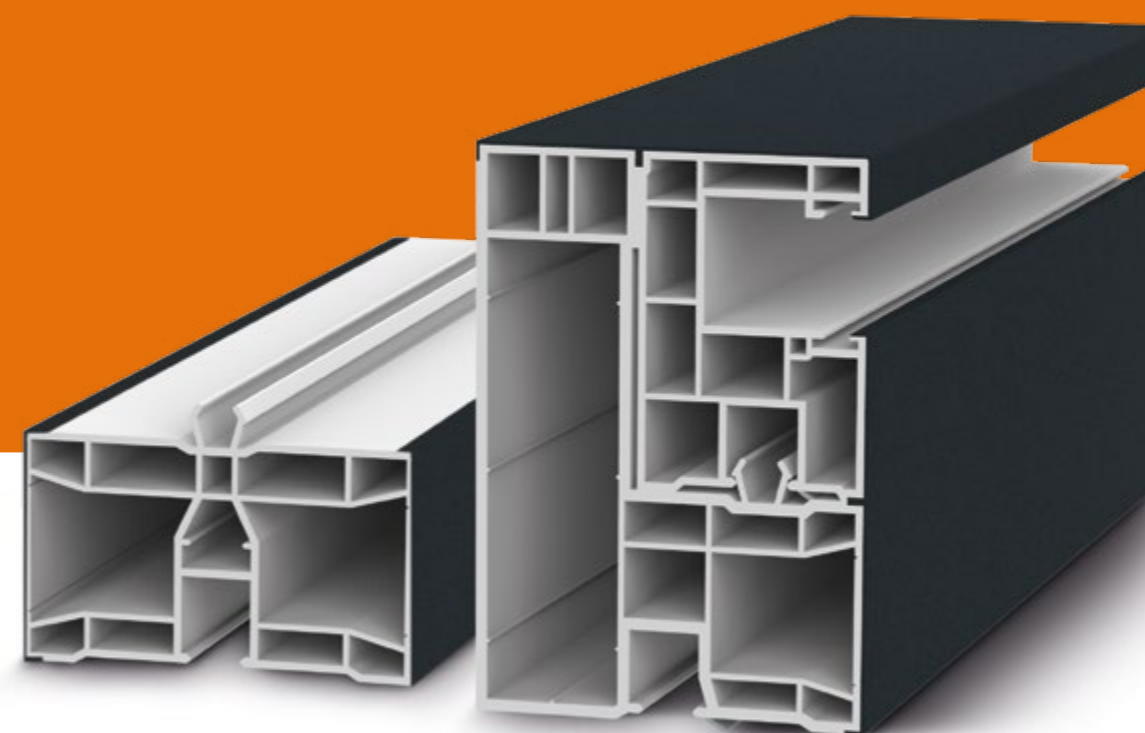


THE RIGHT SOLUTION FOR EVERY SITUATION

# Window accessory systems

—> Welcome to the world of window accessory systems from EXTE. Our high-quality accessory solutions are specially designed to perfect and optimise your window projects.

With a wide range of products, we offer you tailored solutions that combine functionality and design. Find out how our innovative window accessory systems, from waterproofing profiles to decorative strips, can significantly improve the comfort, efficiency and aesthetics of your construction projects.

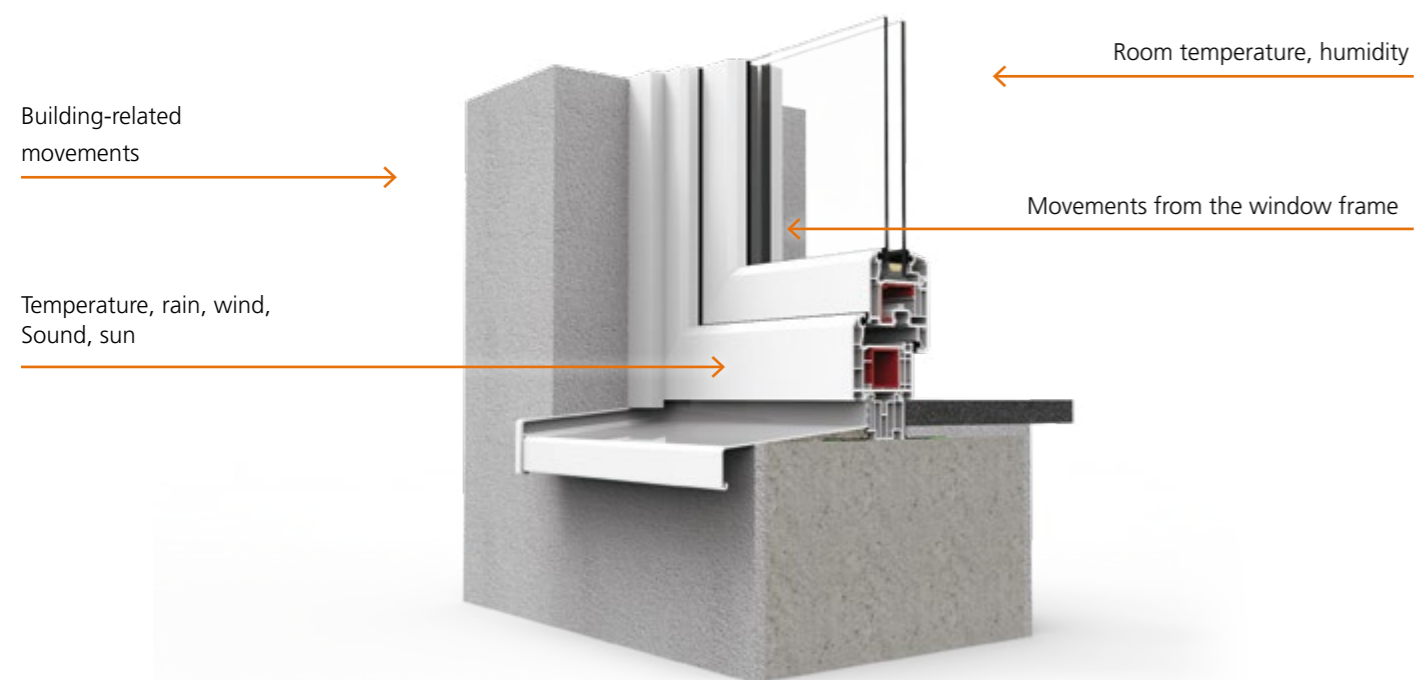




# The right window connection

The image (below) illustrates the functions of the window connection in the building. The professional design of the connection joint (construction, joint geometry, fastening, insulation and sealing) must be planned, calculated and executed according to the

functions and loads. The usability of the window, door or façade construction depends on the connection design.



## The following functions must be fulfilled by the window connection joint:

- Resisting loads from outside temperature, wind, rain, sound, radiation or dissipating them from the structure
- Recording and compensating for building movements and movements from the frame construction
- Compensating for building tolerances and tolerances from the frame construction
- Supporting the weight of the frame construction and absorbing and dissipating usage forces
- Not allowing room air temperature and humidity to penetrate the building envelope
- Any penetrating water must be able to be discharged to the outside

## The joint is covered professionally with the EXTE construction connection profiles.

The following additional information material and guidelines are available for the professional installation of windows, doors and façades. Please note our working instructions, which can be found on page 122.

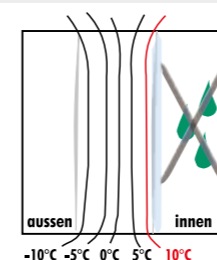
- **Assembly guide:** The installation of windows and façades with quality control by the RAL quality mark.  
Publisher: RAL quality associations for windows and front doors
- **DIN 18055, 1981-10:** Windows, joint permeability, rainproofing and mechanical stress; requirements and testing.  
Publisher: Beuth-Verlag GmbH Berlin
- **Technical guidelines of the glazing trade/Federal Association of the glazing trade:** No. 20, installation of windows and window doors. Publisher: Verlagsanstalt Handwerk GmbH, Düsseldorf



### LEVEL 1 Separation level

#### Tasks for the level:

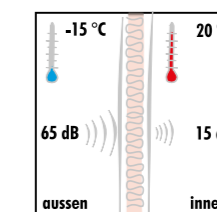
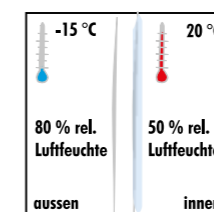
- Indoor climate and outdoor climate are separated
- The level is located in an area whose temperature must be above the dew point temperature of the room climate (approx. 10 °C) to prevent condensation from forming



### LEVEL 2 Functional level

#### Tasks for the level:

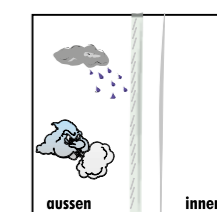
- Ensuring thermal insulation, sound insulation



### LEVEL 3 Weather protection

#### Tasks for the level:

- Protection against rain and wind



#### Joint requirements:

- Elastically absorb movements from the structure and the window
- Ensure tightness against air movement and vapour diffusion
- No interruption on the entire level
- Joint formation must be denser than external joint

#### of the joint:

- Silicone seam in the correct dimensions or vapour diffusion-tight sealing foils

#### Joint requirements:

- Prevent air movement, no cracks (sound transmission)
- The joint must be dry and separate from the room climate

#### Suitable design of the joint:

- Foams in the required qualities
- Mineral wool, cork or similar material with a high insulating effect
- Foam belts

#### Joint requirements:

- Preventing air movement
- Draining rainwater in a controlled manner

#### Suitable design of the joint:

- "Roofing principle"
- Sealing tapes (pre-compressed)



## The right solution for every application



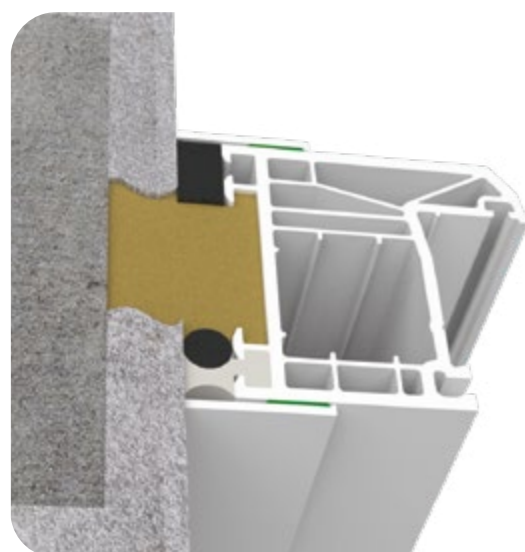
### INSTALLATION SITUATION 1 – MASONRY WITH REVEAL STOP

#### Outdoor profiles:

- Angle
- Cover strips
- Chamber strips
- Sealing strips

#### Interior profiles:

- Sealing strips
- i-strips
- Flat strips
- Angle
- Cover strips
- Chamber strips



### INSTALLATION SITUATION 2 – MASONRY WITHOUT REVEAL STOP

#### Outdoor profiles:

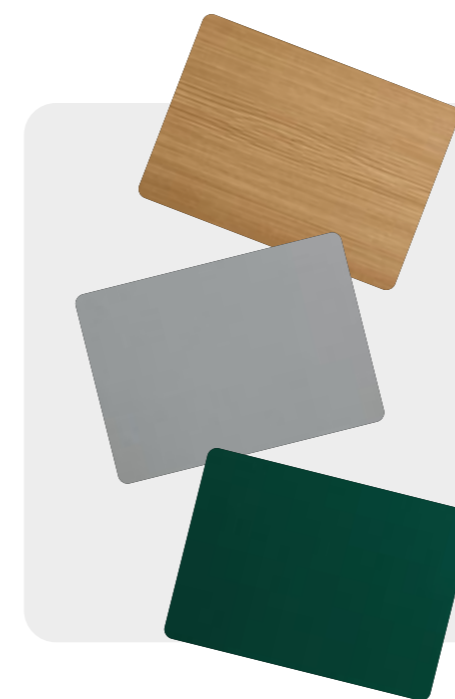
- Flat strips
- Angle
- Cover strips
- Chamber strips
- Sealing strips

#### Interior profiles:

- Sealing strips
- i-strips
- Flat strips
- Angle
- Cover strips
- Chamber strips



## The EXTE Decor World



### Design in completion in partial and full decor.

Today, plastic profiles must cover a very wide range of colours. For this reason, we have expanded our expertise and installed a new, fully automatic PVC wrapping system. This allows us to deliver even small profile quantities in many desired colours.



→ VISIT OUR FOIL FINDER AT  
[WWW.EXTE.DE/DEKORWELT](http://WWW.EXTE.DE/DEKORWELT)

### EXTE DECOR CONCEPT

In order to achieve the highest possible delivery capacity with a wide range of colours, we have implemented the following concept:

All items marked with **D** or **E** (see explanations below) are available in Decor and are foiled in 1-2 week intervals. All warehouse-guided foils from the Renolit, Continental and Schüco Automotive Finish

range are available. On request, we will be happy to provide you with a current and complete list.

Unmarked items are available on request from a minimum quantity of 480 m per decor. Please contact us if necessary. For some foils, we charge surcharges on the conditions listed in the catalogue. An overview of this can be found on pages 10-13.

### Labelling

We have selected profiles that are available in Decor, Express Decor or salamander white labelled with the following symbols:

#### **D** Decor

The item is available in full packaging units in Decor. The delivery of single rods is possible. In these cases, however, we charge a small surcharge of €25.00 per item. (see general terms and conditions of delivery)

#### **E** Express Decor

The item is available in single rods in Decor. A small surcharge will not be applied. In the most common styles, the item is immediately available from stock (see overview on page 12).

#### **S** Salamander white

The item is also available in salamander white at an additional cost.



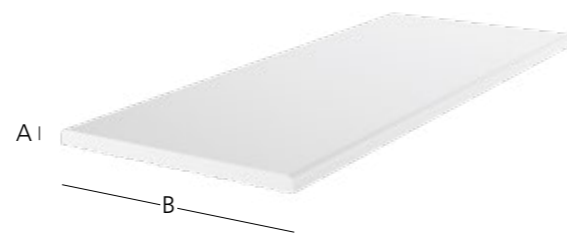
# Flat strips

## PRODUCT DESCRIPTION

- Mounting strips
- Material: PVC white
- Area of application: for outdoor and indoor use

## FUNCTION

A corrugated underside ensures problem-free application of the adhesive; does not swell when the strip is pressed on.



Item no.	Designation	Width in mm	
65025020	Flat strip 20 x 2.5	20	(D) (S)
65025025	Flat strip 25 x 2.5	25	
65025030	Flat strip 30 x 2.5	30	(E) (S)
65025035	Flat strip 35 x 2.5	35	
65025040	Flat strip 40 x 2.5	40	(E) (S)
65025050	Flat strip 50 x 2.5	50	(E) (S)
65025060	Flat strip 60 x 2.5	60	(E) (S)
65025070	Flat strip 70 x 2.5	70	
65025080	Flat strip 80 x 2.5	80	(E) (S)
65025100	Flat strip 100 x 2.5	100	(E) (S)
65025120	Flat strip 120 x 2.5	120	
65025150	Flat strip 150 x 2.5	150	(E) (S)
65025200	Flat strip 200 x 2.5	200	(D)

**Height A:** 2.5 mm **Length:** 6 m **PU:** 120 m; (from size 50) 60 m; (from size 150) 30 m

(D) Decor (E) Express Decor (S) Salamander white. A comprehensive description of the EXTE Decor concept can be found on page 51.



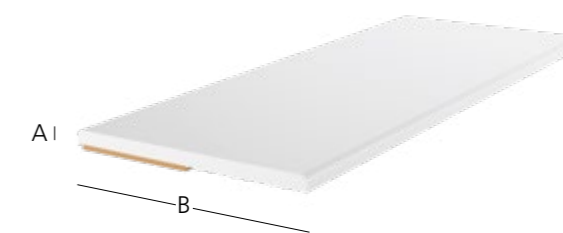
# Flat strips – self-adhesive

## PRODUCT DESCRIPTION

- Mounting strips with film adhesive tape
- Material: PVC white
- Area of application: only for indoor use

## FUNCTION

Flat strip provided with adhesive tape for easy and problem-free working.



Item no.	Designation	Width in mm
66025020	Flat strip 20 x 2.5 SK	20
66025025	Flat strip 25 x 2.5 SK	25
66025030	Flat strip 30 x 2.5 SK	30
66025035	Flat strip 35 x 2.5 SK	35
66025040	Flat strip 40 x 2.5 SK	40
66025050	Flat strip 50 x 2.5 SK	50
66025060	Flat strip 60 x 2.5 SK	60
66025080	Flat strip 80 x 2.5 SK	80
66025100	Flat strip 100 x 2.5 SK	100
66025120	Flat strip 120 x 2.5 SK	120

**Height A:** 2.5 mm **Length:** 6 m **PU:** 120 m; (from size 50) 60 m; (from size 150) 30 m



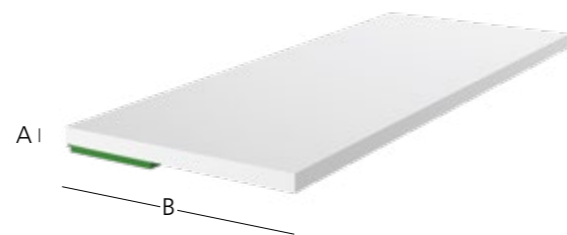
## Flat strips – self-adhesive

### PRODUCT DESCRIPTION

- Mounting strips with foam tape.
- Material: PVC white
- Area of application: for outdoor and indoor use
- Decorative profiles with foam tape for indoor use only

### FUNCTION

Flat strip provided with foam adhesive tape for easy and problem-free working.



Item no.	Designation	Width in mm	
64030020	Flat strip 20 x 2.5 foam SK	20	<span>D</span> <span>S</span>
64030030	Flat strip 30 x 2.5 Foam SK	30	<span>E</span> <span>S</span>
64030040	Flat strip 40 x 2.5 foam SK	40	<span>E</span> <span>S</span>
64030050	Flat strip 50 x 2.5 Foam SK	50	<span>E</span> <span>S</span>
64030060	Flat strip 60 x 2.5 Foam SK	60	<span>D</span> <span>S</span>
64030080	Flat strip 80 x 2.5 Foam SK	80	<span>E</span> <span>S</span>
64030100	Flat strip 100 x 2.5 Foam SK	100	<span>D</span> <span>S</span>

**Height A:** 2.5 mm **Length:** 6 m **PU:** 60 m

D Decor E Express Decor S Salamander white. A comprehensive description of the EXTE Decor concept can be found on page 51.



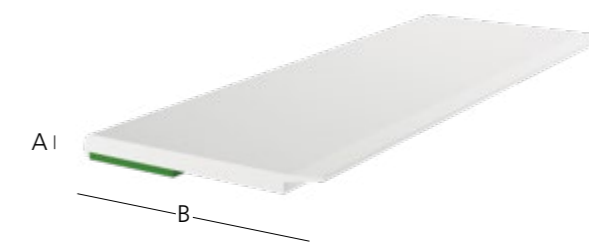
## Flap strips with lip – self-adhesive

### PRODUCT DESCRIPTION

- Mounting strips with soft lip and **foam adhesive tape**.
- Material: PVC white; decors with black lip
- Area of application: for outdoor and indoor use

### FUNCTION

Flat strip provided with foam adhesive tape for easy and problem-free working. The additional soft lip is used to compensate for minor reveal bumps.



Item no.	Designation	Width in mm
67030020	Flat strip 20 x 2.5 with lip, foam SK	20
67030030	Flat strip 30 x 2.5 with lip, foam SK	30
67030040	Flat strip 40 x 2.5 with lip, foam SK	40
67030050	Flat strip 50 x 2.5 with lip, foam SK	50
67030060	Flat strip 60 x 2.5 with lip, foam SK	60
67030080	Flat strip 80 x 2.5 with lip, foam SK	80
67030100	Flat strip 100 x 2.5 with lip, foam SK	100

**Height A:** 2.5 mm **Length:** 6 m **PU:** 60 m



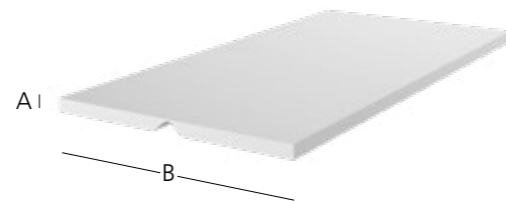
# Kink angle

## PRODUCT DESCRIPTION

- Material: PVC white
- Area of application: for outdoor and indoor use

## FUNCTION

Appropriate covering of connection joints or corner connections.



Item no.	Designation	Width in mm	
6462020	Kink angle 40, 20 x 20 x 2.5 mm	40	<span style="border: 1px solid orange; border-radius: 50%; padding: 2px;">E</span>
6462525	Kink angle 50, 25 x 25 x 2.5 mm	50	<span style="border: 1px solid orange; border-radius: 50%; padding: 2px;">E</span>
6463535	Kink angle 70, 35 x 35 x 2.5 mm	70	
6465020	Kink angle 70, 50 x 20 x 2.5 mm	70	
6464040	Kink angle 80, 40 x 40 x 2.5 mm	80	<span style="border: 1px solid orange; border-radius: 50%; padding: 2px;">E</span>
6465050	Kink angle 100, 50 x 50 x 2.5 mm	100	<span style="border: 1px solid orange; border-radius: 50%; padding: 2px;">E</span>
6466060	Kink angle 120, 60 x 60 x 2.5 mm	120	

**Height A:** 2.5 mm **Length:** 6 m **PU:** 60 m

D Decor E Express Decor S Salamander white. A comprehensive description of the EXTE Decor concept can be found on page 51.



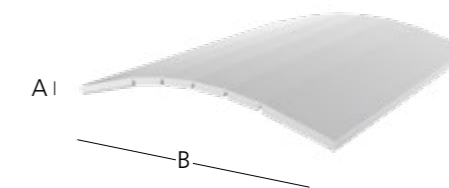
# Flex strip

## PRODUCT DESCRIPTION

- Material: PVC white
- Area of application: for outdoor and indoor use

## FUNCTION

Appropriate covering of connection joints or corner connections.



Item no.	Designation	Width in mm
64241	Flex strip 80 x 2	80

**Height A:** 2 mm **Length:** 6 m **PU:** 60 m

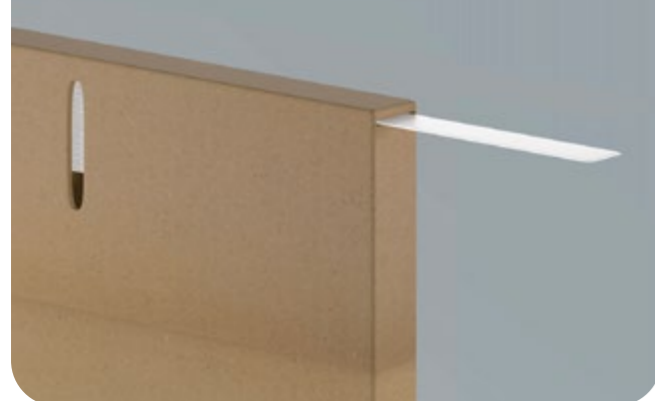


## Flat strips – self-adhesive On a roll

### MOUNTING STRIPS ON A ROLL WITH FOAM TAPE.

Available as 50m roll and 150m roll. Our mounting strips are weather and UV resistant and therefore ideally suited for versatile outdoor and indoor applications.

Flat strips on a roll with self-adhesive  
50 cm x 50 cm (50 m)



Flat strips on a roll with self-adhesive  
75 cm x 75 cm (150 m)



### ADVANTAGES OF STRIPS ON A ROLL

- Made of high-quality plastic – German production
- Sturdy and clean transport packaging – no more dusting and scratching of the strips
- Space-saving during transport and storage
- Pleasant carrying comfort thanks to smaller packaging unit (50 metres)
- Thanks to smaller packaging units (50 meters), advantages in dimensions that are not so often needed
- Viewing window – always with an eye on what is still on the roll
- Particularly force-free cutting to length from the roll thanks to width-optimised cardboard packaging
- No twisting of the strips due to rolling along the length
- Large inner radius for fast smoothing of the strip – immediate working from the roll is easily possible
- Optimised foam adhesive tapes and foam adhesive tape widths ensure perfect hold
- No waste during working



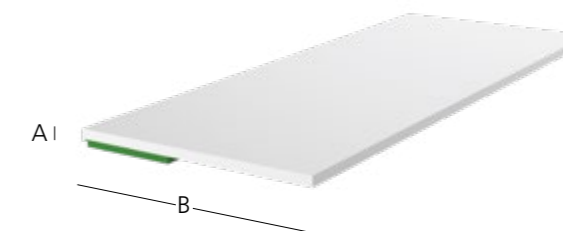
## Flat strips – self-adhesive On a roll

### PRODUCT DESCRIPTION

- Mounting strips with foam tape on a roll
- Material: PVC white
- Area of application: for outdoor and indoor use

### FUNCTION

Flat strip provided with foam adhesive tape for simple and trouble-free working.



### 50 M ROLL

Item no.	Designation	Width in mm
64015020RO,50	Flat strip 20 x 1.5 with lip, foam SK, on a roll	20
64015030RO,50	Flat strip 30 x 1.5 with lip, foam SK, on a roll	30
64015040RO,50	Flat strip 40 x 1.5 with lip, foam SK, on a roll	40
64015050RO,50	Flat strip 50 x 1.5 with lip, foam SK, on a roll	50
64015060RO,50	Flat strip 60 x 1.5 with lip, foam SK, on a roll	60

### 150 M ROLL

Item no.	Designation	Width in mm
64015020RO	Flat strip 20 x 1.5 with lip, foam SK, on a roll	20
64015030RO	Flat strip 30 x 1.5 with lip, foam SK, on a roll	30
64015040RO	Flat strip 40 x 1.5 with lip, foam SK, on a roll	40
64015050RO	Flat strip 50 x 1.5 with lip, foam SK, on a roll	50
64015060RO	Flat strip 60 x 1.5 with lip, foam SK, on a roll	60

Height A: 2.5 mm Length: 50 m or 150 m PU: 1 cardboard box

**D** Decor **E** Express Decor **S** Salamander white. A comprehensive description of the EXTE Decor concept can be found on page 51.



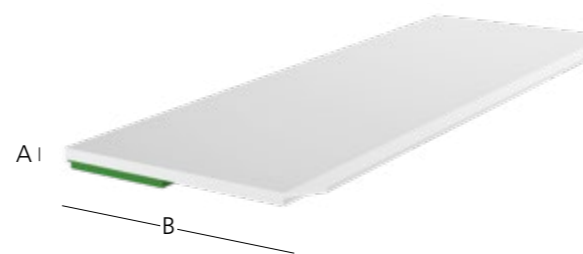
## Flap strips with lip – self-adhesive On a roll

### PRODUCT DESCRIPTION

- Mounting strips with lip and foam adhesive tape on a roll.
- Material: PVC white
- Area of application: for outdoor and indoor use

### FUNCTION

Flat strip provided with foam adhesive tape for easy and problem-free working.



### 50 M ROLL

Item no.	Designation	Width in mm
67015020RO,50	Flat strip 20 x 1.5 with lip, foam SK, on a roll	20
67015030RO,50	Flat strip 30 x 1.5 with lip, foam SK, on a roll	30
67015040RO,50	Flat strip 40 x 1.5 with lip, foam SK, on a roll	40
67015050RO,50	Flat strip 50 x 1.5 with lip, foam SK, on a roll	50
67015060RO,50	Flat strip 60 x 1.5 with lip, foam SK, on a roll	60

### 150 M ROLL

Item no.	Designation	Width in mm
67015020RO	Flat strip 20 x 1.5 with lip, foam SK, on a roll	20
67015030RO	Flat strip 30 x 1.5 with lip, foam SK, on a roll	30
67015040RO	Flat strip 40 x 1.5 with lip, foam SK, on a roll	40
67015050RO	Flat strip 50 x 1.5 with lip, foam SK, on a roll	50
67015060RO	Flat strip 60 x 1.5 with lip, foam SK, on a roll	60

Height A: 2.5 mm Length: 50 m or 150 m PU: 1 cardboard box

D Decor E Express Decor S Salamander white. A comprehensive description of the EXTE Decor concept can be found on page 51.



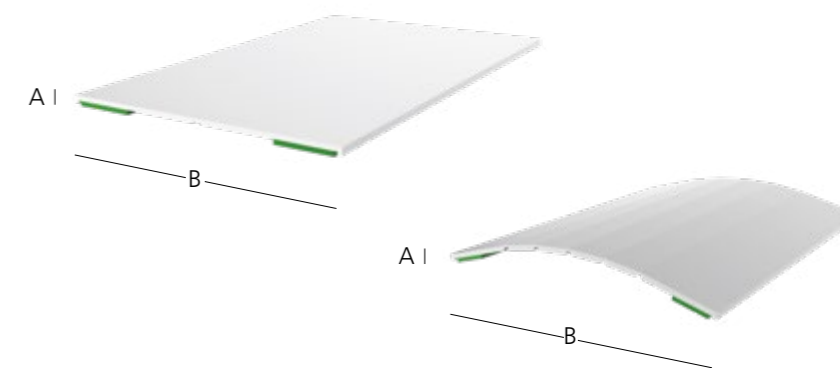
## Kink angle and flex strip – self-adhesive On a roll

### PRODUCT DESCRIPTION

- Kink angle and flex strip – self-adhesive
- Material: PVC white
- Area of application: for outdoor and indoor use

### FUNCTION

Appropriate covering of connection joints or corner connections.



### 50 M ROLL KINK ANGLE

Item no.	Designation	Width in mm
6671515RO,50	Kink angle 15 x 15 2 x foam SK, on a roll	30
6672525RO,50	Kink angle 25 x 25 2 x foam SK, on a roll	50
6674020RO,50	Kink angle 40 x 20 2 x foam SK, on a roll	60
6673030RO,50	Kink angle 30 x 30 2 x foam SK, on a roll	60
6673535RO,50	Kink angle 35 x 35 2 x foam SK, on a roll	70

Height A: 2 mm Length: 50 m PU: 1 cardboard box

### 50 M ROLL OF FLEX STRIP

Item no.	Designation	Width in mm
66715080RO,50	Flex strip 80 x 1.5 2 x foam SK, on a roll	80

Height A: 2 mm Length: 50 m PU: 1 cardboard box



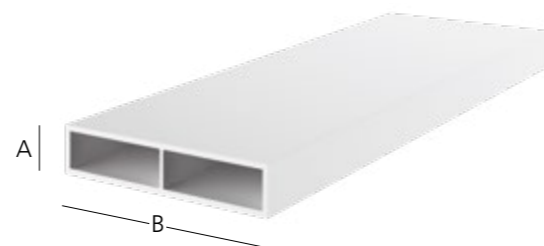
## Cover strips 7 mm

### PRODUCT DESCRIPTION

- Material: PVC white
- Area of application: for outdoor and indoor use

### FUNCTION

A corrugated underside ensures problem-free application of the adhesive, does not swell when pressed on the strip.



Item no.	Designation	Width in mm	
6507153	Cover strip 15/7	15	
6507253	Cover strip 25/7	25	
6507353	Cover strip 35/7	35	(D)
6507453	Cover strip 45/7	45	
6507553	Cover strip 55/7	55	(D)
6507753	Cover strip 75/7	75	(D)
6507953	Cover strip 95/7	95	(D)

Height A: 7 mm Length: 6 m PU: 60 m

(D) Decor (E) Express Decor (S) Salamander white. A comprehensive description of the EXTE Decor concept can be found on page 51.



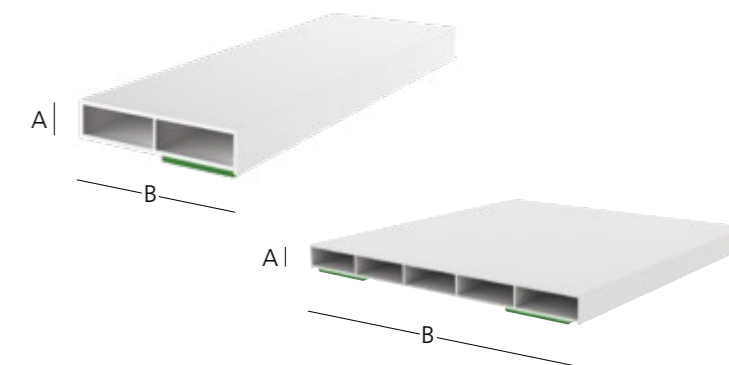
## Cover strips 7 mm – self-adhesive

### PRODUCT DESCRIPTION

- Cover strips with foam tape
- Material: PVC white
- Area of application: for outdoor and indoor use

### FUNCTION

Chamber profile already equipped with foam adhesive tape for easy and problem-free processing. Decorative profiles with foam tape for indoor use only.



Item no.	Designation	Width in mm	
6407153	Cover strip 15/7, foam SK	15	
6407253	Cover strip 25/7, foam SK	25	
6407353	Cover strip 35/7, foam SK	35	(D)
6407453	Cover strip 45/7, foam SK	45	
6407553	Cover strip 55/7, foam SK	55	(D)
6407753	Cover strip 75/7, foam SK	75	(D)
6407953	Cover strip 95/7, foam SK	95	(D)

Height A: 7 mm Length: 6 m PU: 60 m

(D) Decor (E) Express Decor (S) Salamander white. A comprehensive description of the EXTE Decor concept can be found on page 51.

Item no.	Designation	Width in mm
6477953	Cover strip 95/7 2 x foam SK	95

Height A: 7 mm Length: 6 m PU: 60 m



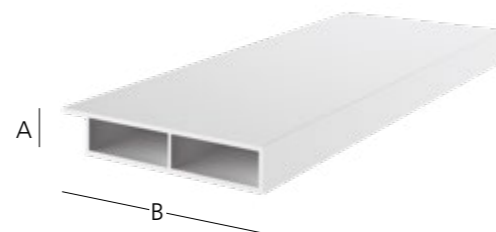
## Cover strips 7 mm with flag

### PRODUCT DESCRIPTION

- Cover strips with flag.
- Material: PVC white
- Area of application: for outdoor and indoor use

### FUNCTION

A corrugated underside ensures problem-free application of the adhesive, does not swell when the strip is pressed on.



Item no.	Designation	Width in mm	
650720	Cover strip 20/7 with flag	20	D
650730	Cover strip 30/7 with flag	30	D
650740	Cover strip 40/7 with flag	40	D
650750	Cover strip 50/7 with flag	50	D
650760	Cover strip 60/7 with flag	60	D
650780	Cover strip 80/7 with flag	80	D
650700	Cover strip 100/7 with flag	100	D

**Height A:** 7 mm **Length:** 6 m **PU:** 60 m, from width 80 mm in style PU: 30 m

D Decor E Express Decor S Salamander white. A comprehensive description of the EXTE Decor concept can be found on page 51.



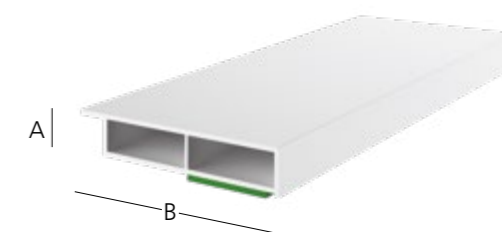
## Cover strips 7 mm with flag – Self-adhesive

### PRODUCT DESCRIPTION

- Cover strips with flag and foam tape
- Material: PVC white
- Area of application: for outdoor and indoor use

### FUNCTION

Chamber profile already equipped with foam adhesive tape for easy and problem-free processing. Decorative profiles with foam tape for indoor use only.



Item no.	Designation	Width in mm	
640720	Cover strip 20/7 with flag, foam SK	20	E S
6407251	Cover strip 25/7 with flag, foam SK	25	D
640730	Cover strip 30/7 with flag, foam SK	30	E S
640740	Cover strip 40/7 with flag, foam SK	40	E S
640750	Cover strip 50/7 with flag, foam SK	50	E S
640760	Cover strip 60/7 with flag, foam SK	60	E S
640780	Cover strip 80/7 with flag, foam SK	80	D
640700	Cover strip 100/7 with flag, foam SK	100	D

**Height A:** 7 mm **Length:** 6 m **PU:** 60 m, from width 80 mm in style PU: 30 m

D Decor E Express Decor S Salamander white. A comprehensive description of the EXTE Decor concept can be found on page 51.



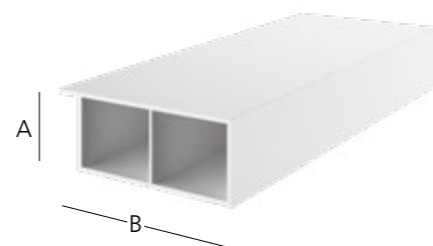
## Cover strips 15 mm with flag

### PRODUCT DESCRIPTION

- Cover strips with flag.
- Material: PVC white
- Area of application: for outdoor and indoor use

### FUNCTION

A corrugated underside ensures problem-free application of the adhesive. It does not swell when the strip is pressed on.



Item no.	Designation	Width in mm	
651520	Cover strip 20/15 with flag	20	D
651530	Cover strip 30/15 with flag	30	D
651540	Cover strip 40/15 with flag	40	D
651550	Cover strip 50/15 with flag	50	D
651560	Cover strip 60/15 with flag	60	D
651580	Cover strip 80/15 with flag	80	D

**Height A:** 15 mm **Length:** 6 m **PU:** 60 m

D Decor E Express Decor S Salamander white. A comprehensive description of the EXTE Decor concept can be found on page 51.



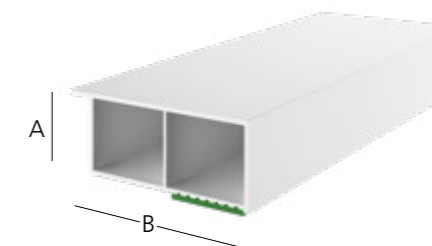
## Cover strips 15 mm with flag – Self-adhesive

### PRODUCT DESCRIPTION

- Cover strips with flag and foam tape
- Material: PVC white
- Area of application: for outdoor and indoor use

### FUNCTION

Chamber profile already equipped with foam adhesive tape for easy and problem-free processing. Decorative profiles with foam tape for indoor use only.



Item no.	Designation	Width in mm	
641520	Cover strip 20/15 with flag, foam SK	20	E
641530	Cover strip 30/15 with flag, foam SK	30	E
641540	Cover strip 40/15 with flag, foam SK	40	E
641550	Cover strip 50/15 with flag, foam SK	50	D
641560	Cover strip 60/15 with flag, foam SK	60	D
641580	Cover strip 80/15 with flag, foam SK	80	D

**Height A:** 15 mm **Length:** 6 m **PU:** 60 m

D Decor E Express Decor S Salamander white. A comprehensive description of the EXTE Decor concept can be found on page 51.



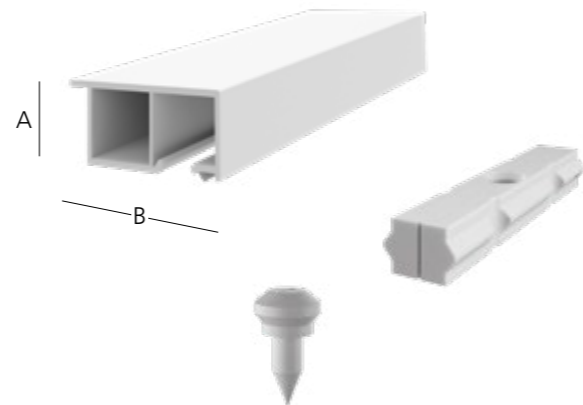
## Clip strips 15 mm with flag

### PRODUCT DESCRIPTION

- Cover strip with flag and 15 mm height
- Material: PVC white
- Area of application: for outdoor and indoor use

### FUNCTION

Chamber profile for attaching by means of nipple screws or clamping pieces. With soft lip for sealing against the frame. Particularly suitable in the decor area for outdoor use, but also for indoor use.



#### Item no.

#### Designation

#### Width in mm

6515304	Clip strip 30/15 mm	30	<span style="border: 1px solid black; border-radius: 50%; padding: 2px;">E</span>
6515404	Clip strip 40/15 mm	40	<span style="border: 1px solid black; border-radius: 50%; padding: 2px;">E</span>

**Height A:** 15 mm **Length:** 6 m **PU:** 60 m

D Decor E Express Decor S Salamander white. A comprehensive description of the EXTE Decor concept can be found on page 51.

#### Item no.

#### Designation

5630 Nipple screw for PVC and aluminium RLS

**PU:** 1,000 pieces

#### Item no.

#### Designation

5632 Clamping piece for RLS

**PU:** 1,000 pieces



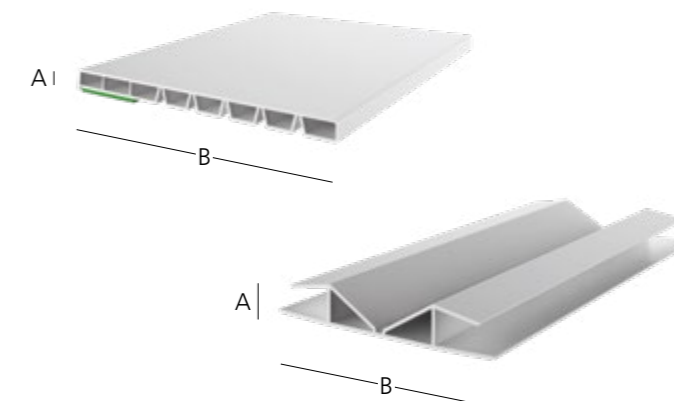
## Cover strips – self-adhesive

### PRODUCT DESCRIPTION

- Cover strips with separating points and foam tape
- Material: PVC white
- Area of application: for outdoor and indoor use

### FUNCTION

Flexible cover strips. Easily shortened into 10 mm steps by means of predetermined separation points. The strips can also be bent without any problems.



#### Item no.

#### Designation

#### Width in mm

6405080R	Cover strip 80 x 5 with separating points and foam SK	80
6405100R	Cover strip 100 x 5 with separating points and foam SK	100

**Height A:** 5 mm **Length:** 6 m **PU:** 60 m

#### Item no.

#### Designation

#### Width in mm

6405001	Connection profile	50
---------	--------------------	----

**Height A:** 8 mm **Length:** 6 m **PU:** 60 m

### APPLICATION EXAMPLE



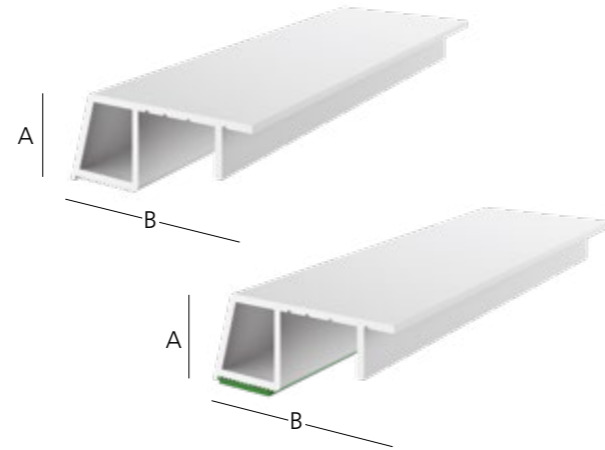
# Chamber strips

### PRODUCT DESCRIPTION

- Chamber strips
- Material: PVC white
- Area of application: for outdoor and indoor use

### FUNCTION

Using predetermined breaking points, the strips can be quickly cut to the required size.



Item no.	Designation	Width in mm
651640	Chamber strip 16/40	40

Height A: 16 mm Length: 6 m PU: 60 m

Item no.	Designation	Width in mm
641618	Chamber strip 16/18, foam SK	18
641638	Chamber strip 16/38, foam SK	38
641640	Chamber strip 16/40, foam SK	40

Height A: 16 mm Length: 6 m PU: 60 m

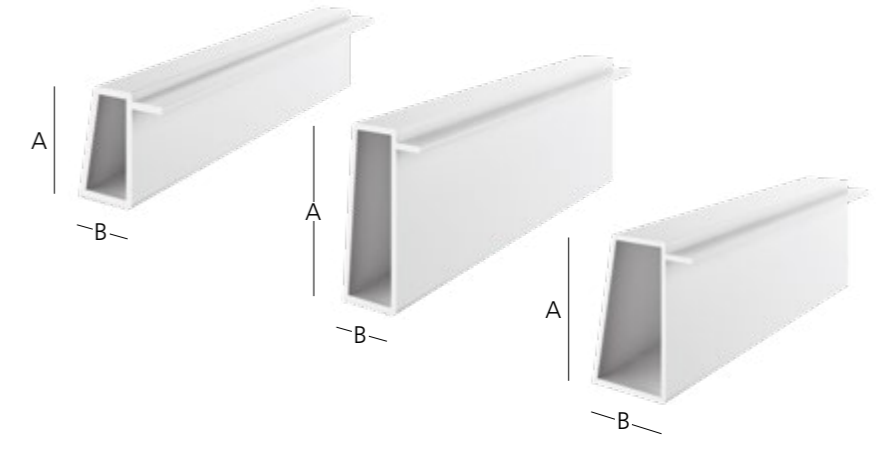
# Chamber strips

### PRODUCT DESCRIPTION

- Chamber strips
- Material: PVC white
- Area of application: only for indoor use

### FUNCTION

Covering connection joints and receptacle for on-site sealing tape.



Item no.	Designation	Width in mm
651322	Chamber strip 13/22	13

Height A: 22 mm Length: 6 m PU: 60 m

Item no.	Designation	Width in mm
651335	Chamber strip 13/35	13

Height A: 35 mm Length: 6 m PU: 60 m

Item no.	Designation	Width in mm
652135	Chamber strip 21/35	21

Height A: 35 mm Length: 6 m PU: 60 m

# Sealing strips – self-adhesive

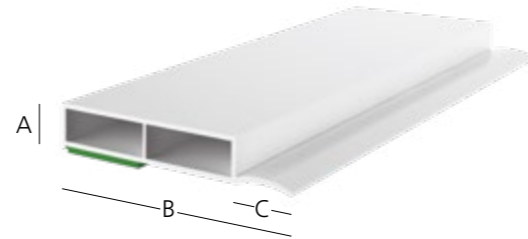
## JOINT COVER AND RAL-COMPLIANT SEALING IN ONE SYSTEM

### PRODUCT DESCRIPTION

- Self-adhesive sealing cover strip
- Material: PVC white
- Area of application: for outdoor and indoor use

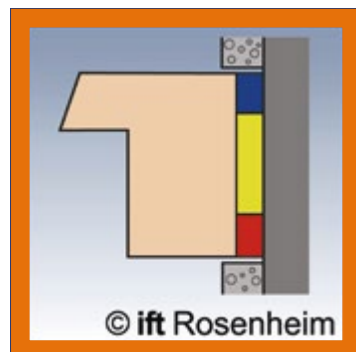
### FUNCTION

Simple, fast and clean working. Suitable for internal and external sealing.  
Component testing according to ift guideline MO-01/1.



Item no.	Designation	Width in mm
6607025	Sealing cover strip 25/7 foam SK	25
6607035	Sealing cover strip 35/7 foam SK	35
6607045	Sealing cover strip 45/7 foam SK	45
6607065	Sealing cover strip 65/7 foam SK	65
6607085	Sealing cover strip 85/7 foam SK	85

Height A: 7 mm Length: 6 m Width C: 10 mm PU: 60 m



# Sealing strips – self-adhesive

## Results of component testing according to ift guideline MO/01, test report 19-002700

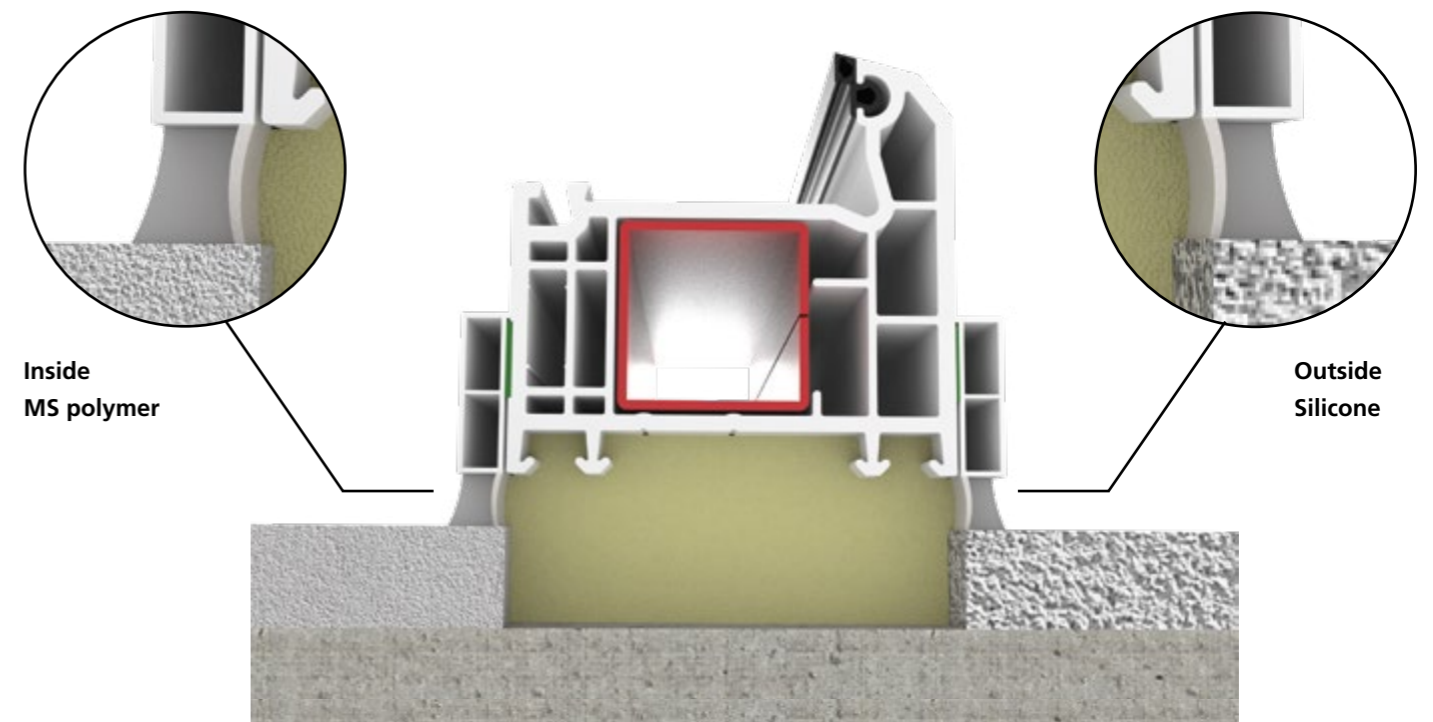
Air permeability up to ± 1000 Pa, in new condition	a < 0.1 m³/(m h daPa)
Impact rain resistance up to 600 Pa, in new condition	No water entry
Air permeability up to ± 1000 Pa, after simulated short-term loads (temperature, wind, use)	a < 0.1 m³/(m h daPa)
Impact rain resistance up to 600 Pa, after simulated short-term loads (temperature, wind, use)	No water entry

### APPLICATION

After gluing the strip onto the window, a joint is created thanks to the special geometry. The width and depth of this joint are designed in the optimal ratio of d:w ~ 1:2. By filling with silicone (outside) or MS polymer (inside), a room-side airtight and outside impact rainproof

Waterproofing. In this case, the elastic sealing web eliminates 3-edge adhesion. The use of a backfill cord is not necessary. The strips are equipped with a protective foil to be removed after assembly.

The elastic sealing web eliminates 3-edge adhesion.



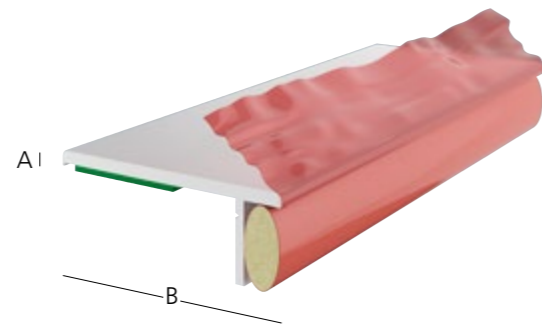
# i-strips – self-adhesive

## PRODUCT DESCRIPTION

- Mounting strips with vapour diffusion-tight system, prefabricated
- Material: PVC white
- Area of application: only for indoor use

## FUNCTION

RAL-compliant sealing of the inner window connections. The system consists of an impregnated, pre-compressed soft PU foam in PP foil. The closure forms the tear-off zone for the protruding foil through perforation and tear thread. By cutting off the protruding foil, the built-in, compressed sealing tape is activated and the remaining foil is pressed against the connector with uniform pressure.



Item no.	Designation	Width in mm
9044025	i-Flat strip 25 x 2.5 foam SK	25
9044040	i-Flat strip 40 x 2.5 foam SK	40

Height A: 2.5 mm Length: 5 m PU: 50 m

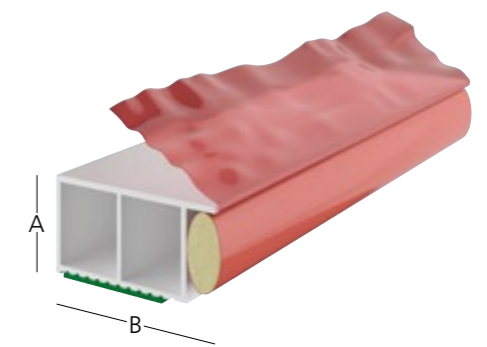
# i-strips – self-adhesive

## PRODUCT DESCRIPTION

- Mounting strips with vapour diffusion-tight system prefabricated
- Material: PVC white
- Area of application: only for indoor use

## FUNCTION

RAL-compliant sealing of the inner window connections. The system consists of an impregnated, pre-compressed soft PU foam in PP foil. The closure forms the tear-off zone for the protruding foil through perforation and tear thread. By cutting off the protruding foil, the built-in, compressed sealing tape is activated and the remaining foil is pressed against the connector with uniform pressure.



Item no.	Designation	Width in mm
6415201	i-cover strip 20/15 with flag, foam SK	20
6415301	i-Cover strip 30/15 with flag, foam SK	30
6415401	i-Cover strip 40/15 with flag, foam SK	40
6415601	i-Cover strip 60/15 with flag, foam SK	60
6415801	i-Cover strip 80/15 with flag, foam SK	80

Height A: 15 mm Length: 6 m PU: 60 m



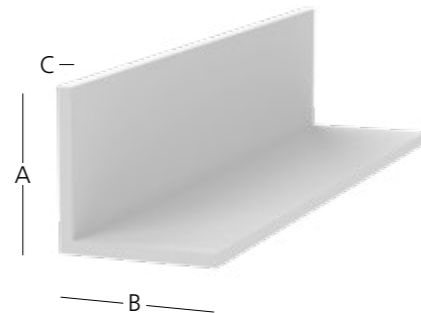
# Isosceles angles

## PRODUCT DESCRIPTION

- Angle profiles
- Material: PVC white
- Area of application: for outdoor and indoor use
- Decor: foiling is done on the outside!

## FUNCTION

Appropriate covering of connection joints or corner connections.



Item no.	Designation	Height AxB in mm	Thickness in mm
71020020	Angle 2 x 20 x 2.5 square	20 x 20	2.5
71025025	Angle 25 x 25 x 2.5 square	25 x 25	2.5
71030030	Angle 30 x 30 x 2.5 square	30 x 30	2.5
71035035	Angle 35 x 35 x 2.5 square	35 x 35	2.5
71040040	Angle 40 x 40 x 2.5 square	40 x 40	2.5
71050050	Angle 50 x 50 x 2.5 square	50 x 50	2.5
71060060	Angle 60 x 60 x 2.5 square	60 x 60	2.5
61100100	Angle 100 x 100 x 2.5 round	100 x 100	2.5

**Length:** 6 m **PU:** 60 m; (from size 100 x 100) 30 m

**D** Decor **E** Express Decor **S** Salamander white. A comprehensive description of the EXTE Decor concept can be found on page 51.

→ Other angle dimensions are possible as a custom-made product **from 1,200 m purchase quantity.**



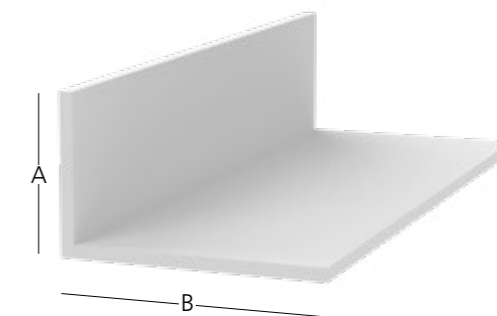
# Unequal angles

## PRODUCT DESCRIPTION

- Angle profiles
- Material: PVC white
- Area of application: for outdoor and indoor use
- Decor: foiling is done on the outside!

## FUNCTION

Appropriate covering of connection joints or corner connections.



Item no.	Designation	Height AxB in mm	Thickness in mm
71020012	Angle 20 x 12 x 2.5 square	20 x 12	2.5
71030020	Angle 30 x 20 x 2.5 square	30 x 20	2.5
71040020	Angle 40 x 20 x 2.5 square	40 x 20	2.5
71045025	Angle 45 x 25 x 2.5 square	45 x 25	2.5
71050010	Angle 50 x 10 x 2.5 square	50 x 10	2.5
71050030	Angle 50 x 30 x 2.5 square	50 x 30	2.5
71060020	Angle 60 x 20 x 2.5 square	60 x 20	2.5
71060030	Angle 60 x 30 x 2.5 square	60 x 30	2.5
71060040	Angle 60 x 40 x 2.5 square	60 x 40	2.5
71080040	Angle 80 x 40 x 2.5 square	80 x 40	2.5
71080050	Angle 80 x 50 x 2.5 square	80 x 50	2.5
71100060	Angle 100 x 60 x 2.5 square	100 x 60	2.5
61150100	Angle 150 x 100 x 2.5 round	150 x 100	2.5

**Length:** 6 m **PU:** 60 m; (from size 80 x 50) 30 m

**D** Decor **E** Express Decor **S** Salamander white. A comprehensive description of the EXTE Decor concept can be found on page 51.

→ Other angle dimensions are possible as a custom-made product **from 1,200 m purchase quantity.**

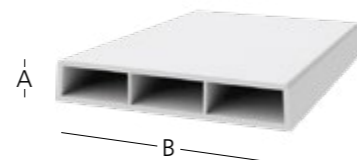
# Multi-purpose strips

## PRODUCT DESCRIPTION

- Multi-purpose strips
- Material: PVC white
- Area of application: for outdoor and indoor use

## FUNCTION

Chamber profiles for easy and problem-free working.



Item no.	Designation	Width in mm
6512042	Multi-purpose strip 42 x 12	42
6512070	Multi-purpose strip 70 x 12	70
6512100	Multi-purpose strip 100 x 12	100

Height A: 12 mm Length: 6 m Width C: 10 mm PU: 60 m (from size 100) 30 m

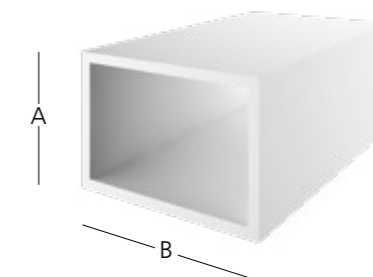
# PVC pipes

## PRODUCT DESCRIPTION

- PVC pipes
- Material: PVC white
- Area of application: for outdoor and indoor use

## FUNCTION

Versatile in use.



Item no.	Designation	Height A	Width B	PU
6839	PVC pipe 50 x 50 x 3 mm	50 mm	50 mm	24 m
6878	PVC pipe 90 x 50 x 3 mm	50 mm	90 mm	24 m

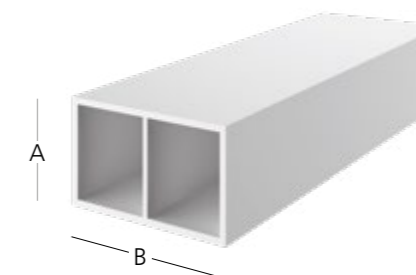
Length: 6 m

## PRODUCT DESCRIPTION

- PVC pipes
- Material: PVC white
- Area of application: for outdoor and indoor use

## FUNCTION

Versatile in use.



Item no.	Designation	Width in mm
652034	PVC pipe 34 x 20 x 1.2 mm white	34

Height A: 20 mm Length: 6 m PU: 60 m



# Reveal cladding system

## CLADDING SYSTEMS FOR WINDOW REVEALS

When replacing windows, it is always necessary to repair the adjacent reveal both inside and outside. As an alternative to the solution drywall and plastering solution, we offer you the fast, clean and inexpensive solution with our reveal cladding systems. Two systems are available to you:

### BUTT STRAP SYSTEM

The butt strap system is suitable for covering angled reveals. A special feature of the system is the easy installation with butt straps, which are completely covered by the cover profile. This creates particularly visually appealing solutions.



### VARIABLE SYSTEM

With the variable system, on the other hand, even sloping reveals can be easily clad. The variable bending point in the receiving profile and in the covering profile makes adaptation to any angle infinitely possible.

Both systems can be mounted on a variety of common window systems.



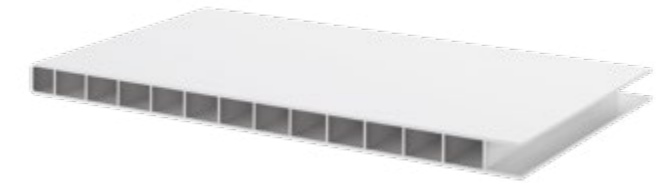
# Chamber profiles

## PRODUCT DESCRIPTION

- Chamber profiles
- Material: PVC white
- Area of application: only for indoor use

## FUNCTION

Reveal cover.



### Item no.

510175

### Designation

Chamber profile 175 x 10 mm

Height A: 10 mm Length: 6 m PU: 30 m

### Item no.

510250

### Designation

Chamber profile 250 x 10 mm

Height A: 10 mm Length: 6 m PU: 24 m

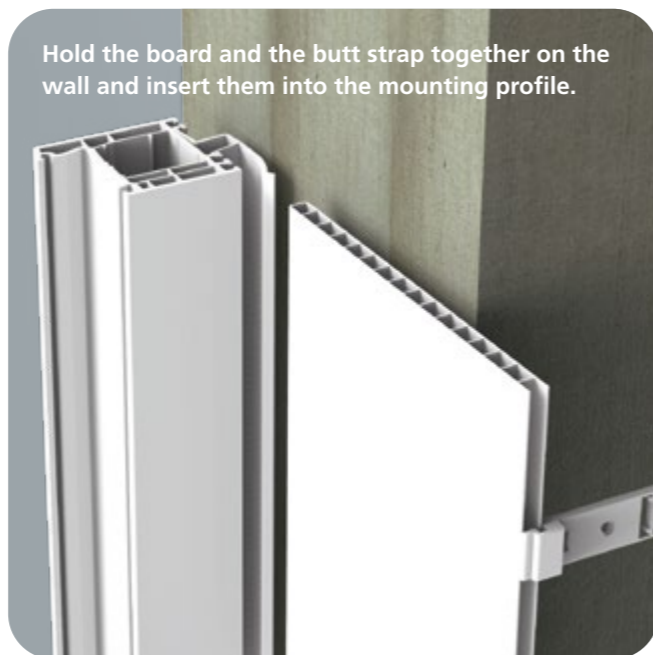


## Installation instructions for the butt strap system

Place the butt strap on the board.



Hold the board and the butt strap together on the wall and insert them into the mounting profile.



Screw the butt strap to the wall.



Face the butt strap with the cover profile.



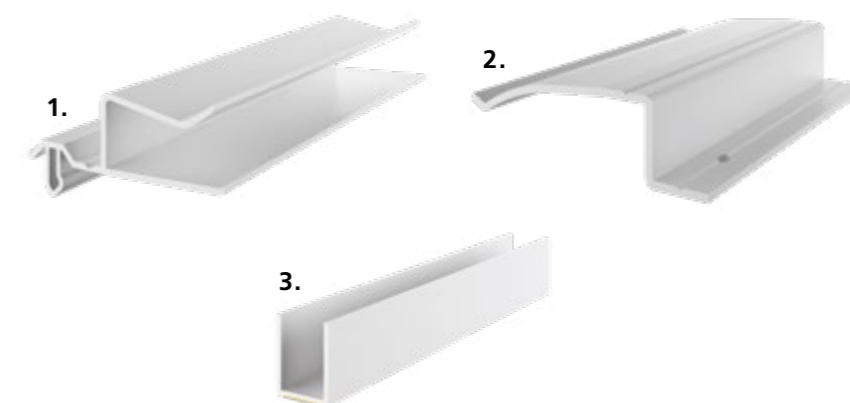
## Mounting profiles

### PRODUCT DESCRIPTION

- Mounting profiles
- Material: PVC white
- Area of application: only for indoor use

### FUNCTION

Bracket for the chamber profiles



### 1. RECEIVING PROFILE FOR INSERTION INTO THE FRAME GROOVE

Item no.

Designation

513001

Receiving profile for insertion into the frame groove, suitable for various systems, universal

Length: 6 m PU: 60 m

### 2. UNI RECEIVING PROFILE FOR SCREWING ON

Item no.

Designation

513002

Uni receiving profile for screwing onto the frame, universal

Length: 6 m PU: 60 m

### 3. U-PROFILE

Item no.

Designation

513003

U-profile 15 x 12 x 15 without SK

513004

U-profile 15 x 12 x 15 with SK

Length: 6 m PU: 60 m



## Installation instructions for the variable system

Place the cover profile on the board.



Hold the board and the mounting profile together on the wall and insert them into the mounting profile.



Screw the cover profile to the wall.



Place the cover on the cover profile clips.



## Cover profiles

### PRODUCT DESCRIPTION

- Cover profiles
- Material: PVC white
- Area of application: only for indoor use

### FUNCTION

Cover the cut edges or profile end edges.

#### Item no.

514001

#### Designation

Cover profile 75 x 12 (variable)

Length: 6 m PU: 60 m

#### Item no.

514003

#### Designation

Cover profile 75 mm (butt strap system)

514004

Cover profile 100 mm (butt strap system)

Length: 6 m PU: 60 m

#### Item no.

14012

#### Designation

Strap 100, assembled with steel spring

PU: 250 pieces

#### Item no.

514010

#### Designation

Mitre cover (variable)

PU: 250 pieces

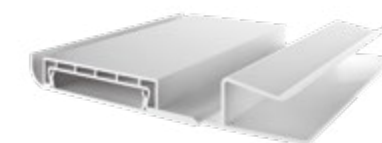
#### Item no.

514015

#### Designation

Angle connector

PU: 200 pieces





# Chamber angle

## PRODUCT DESCRIPTION

- Chamber angle and mounting profiles.
- Material: PVC white
- Area of application: for outdoor and indoor use

## FUNCTION

Reveal cover.

### Item no.

### Designation

W1400707	Hollow chamber angle 140 x 70 x 7
W1800807	Hollow chamber angle 180 x 80 x 7
W1100907	Hollow chamber angle 110 x 90 x 7
W1401007	Hollow chamber angle 140 x 100 x 7

Height A: 7 mm Length: 6 m PU: 6 m

### Item no.

### Designation

514010	Mitre cover (variable)
--------	------------------------

Length: 6 m PU: 60 m

### Item no.

### Designation

65500	Accessory set cover for chamber angle (for covering the chamber angle up to 140 mm projection)
-------	--

PU: 100 set (1 set is sufficient for one corner and includes: 1 x cover, 2 x angle connectors horizontal, 2 x angle connectors vertical)



# Reveal cover

## PRODUCT DESCRIPTION

- Cover profiles
- Material: PVC white
- Area of application: only for indoor use

## FUNCTION

Reveal cover.

### Item no.

### Designation

5093-6	Reveal cover, 46 x 25
--------	-----------------------

E

Height A: 46 mm Length: 6 m PU: 24 m

D Decor E Express Decor S Salamander white. A comprehensive description of the EXTE Decor concept can be found on page 51.

### Item no.

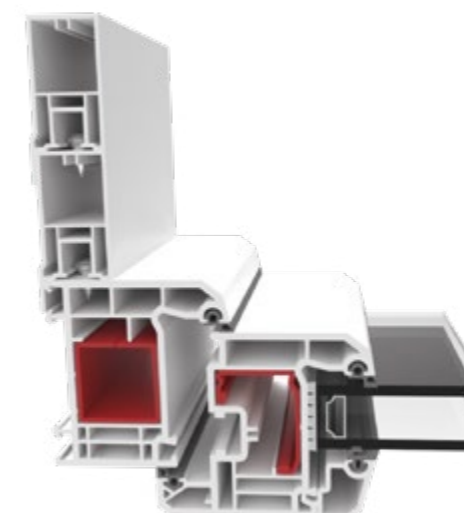
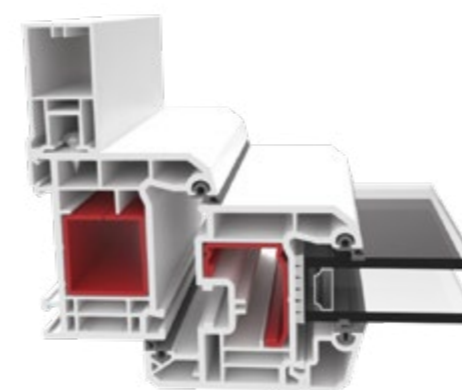
### Designation

5630	Nipple screw for PVC and aluminium RLS
------	--

PU: 1,000 pieces



## EXAMPLE OF APPLICATION





# The rung system

## PRODUCT DESCRIPTION

The EXTE glass rungs are a quality product in which we have invested our 30 years of experience in the extrusion of self-adhesive glass rungs. Based on this experience, we have constantly revised the design and technology and adapted it to the requirements of the market.

## PRODUCT LINES

The rungs are supplied in white shades to match the window systems. In addition, we can also produce rungs through-coloured in RAL 9001. However, these types are not available as stock goods, please inquire.

## EXAMPLES OF RUNG SYSTEM



## LIP COLOURS

The rungs can be supplied with the following lip colours:

- Black
- Grey RAL 7001 (Veka, Rehau, Schüco)
- Grey RAL 7035 (Gealan, KBE, Kömmerling, Trocal, Salamander, Aluplast, Brüggmann)

All common decors are available. Depending on the decor, the base body is made in white, dark brown or grey. The lip colour depends on your requirements.

The rungs are supplied in a high-quality cardboard box, which is also suitable for storage at your company premises.



# Glass rungs

## PRODUCT DESCRIPTION

- Rung profiles with 15° inclination.
- Material: PVC white
- Area of application: for outdoor and indoor use

## FUNCTION

Optical enhancement of the windows, stylistic devices in old and new buildings.

### Item no.

### Designation

67527	Glass rung 27 x 9 mm	(E)
67534	Glass rung 34 x 9 mm	(E)
67545	Glass rung 45 x 9 mm	(E)
67565	Glass rung 65 x 9 mm	(E)

Height A: 9 mm Length: 5 m PU: 60 m

### Item no.

### Designation

67327	Glass rungs 27 x 11 mm	(E)
-------	------------------------	-----

Height A: 11 mm Length: 5 m PU: 60 m

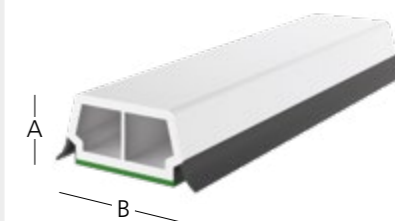
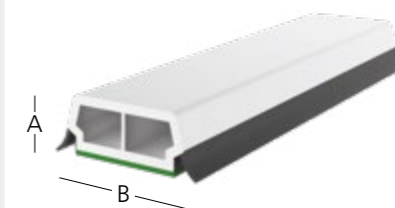
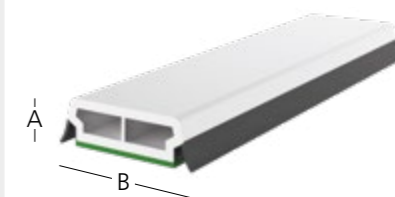
### Item no.

### Designation

67427	Glass rungs 27 x 13 mm	(E)
67434	Glass rung 34 x 13 mm	(E)
67445	Glass rung 45 x 13 mm	(E)
67465	Glass rungs 65 x 13 mm	(E)

Height A: 11 mm Length: 5 m PU: 60 m; (from size 45) 40 m

(D) Decor (E) Express Decor (S) Salamander white. A comprehensive description of the EXTE Decor concept can be found on page 51.



# Coupling profiles

## PRODUCT DESCRIPTION

- Window sill connection profiles
- Material: PVC white
- Area of application: only for indoor use



## FUNCTION

Spring profile for various profile systems.

Item no.	Designation
6879	Spring profile 4.6 x 12 (suitable for Salamander)
6880	Spring profile 4 x 13

**Length:** 6 m **PU:** 60 m

Spring profile for use with: Aluplast, Schüco, Rehau, Gealan, LB-Profile, Trocal, KBE, Roplasto, Dimex, Kömmerling, Salamander

## EXAMPLE OF APPLICATION





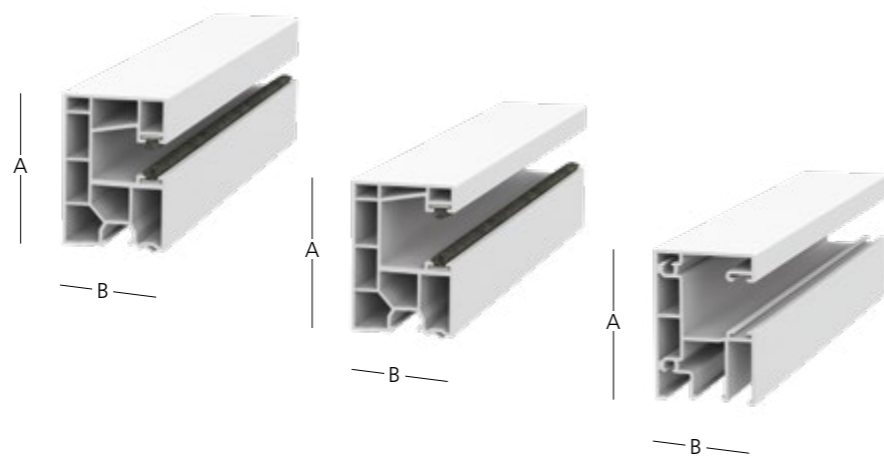
# Roller shutter runner rails

## PRODUCT DESCRIPTION

- Roller shutter runner rails
- Material: PVC white, PVC decor and aluminium
- Area of application: inspection from inside/below

## FUNCTION

Guide rails for roller shutter elements on windows and doors.



Item no.	Designation
----------	-------------

50851-6	RLS 35 x 51, mini, 1 groove, 2 brushes
---------	--

(E) (S)

Height A: 51 mm Width B: 35 mm Length: 6 m PU: 36 m

Item no.	Designation
----------	-------------

50811-6	RLS 35 x 51, mini, 1 groove, 2 brushes
---------	--

(E) (S)

Height A: 51 mm Width B: 35 mm Length: 6 m PU: 36 m

Item no.	Designation
----------	-------------

54351-6	RLS aluminium 35 x 51, maxi, 1 groove, without brushes
---------	--

Height A: 35 mm Length: 6 m PU: 60 m

(D) Decor (E) Express Decor (S) Salamander white. A comprehensive description of the EXTE Decor concept can be found on page 51.



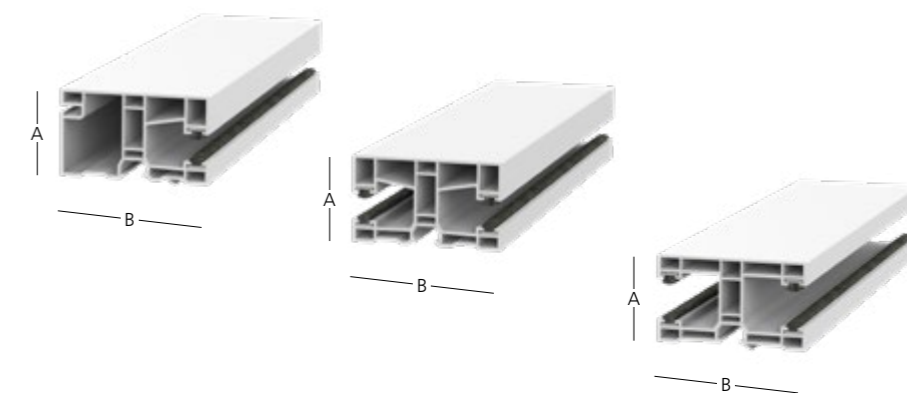
# Roller shutter runner rails

## PRODUCT DESCRIPTION

- Roller shutter runner rails
- Material: PVC white, PVC decor and aluminium
- Area of application: inspection from inside/below

## FUNCTION

Guide rails for roller shutter elements on windows and doors.



Item no.	Designation
----------	-------------

50971-6	RLS 60 x 35, mini, 1 groove, 2 brushes
---------	--

(D)

Height A: 35 mm Width B: 60 mm Length: 6 m PU: 6 m

Item no.	Designation
----------	-------------

50982-6	RLS 60 x 35, mini, 2 grooves, 4 brushes
---------	---

(D)

Height A: 35 mm Width B: 60 mm Length: 6 m PU: 6 m

Item no.	Designation
----------	-------------

50983-6	RLS 60 x 35, maxi, 2 grooves, 4 brushes
---------	---

(D)

Height A: 35 mm Width B: 60 mm Length: 6 m PU: 6 m

(D) Decor (E) Express Decor (S) Salamander white. A comprehensive description of the EXTE Decor concept can be found on page 51.



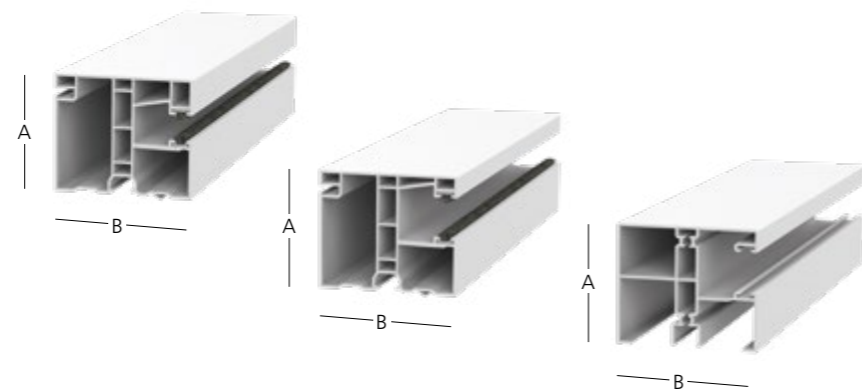
# Roller shutter runner rails

## PRODUCT DESCRIPTION

- Roller shutter runner rails
- Material: PVC white, PVC decor and aluminium
- Area of application: inspection from inside/below

## FUNCTION

Guide rails for roller shutter elements on windows and doors.



### Item no.

### Designation

50901-6 RLS 60x51, mini, 1 groove, 2 brushes



Height A: 51 mm Width B: 60 mm Length: 6 m PU: 6 m

### Item no.

### Designation

50911-6 RLS 60x51, maxi, 1 groove, 2 brushes

Height A: 51 mm Width B: 60 mm Length: 6 m PU: 6 m

### Item no.

### Designation

54321-6 RLS aluminium 60x51, maxi, 1 groove, without brushes



Height A: 51 mm Width B: 60 mm Length: 6 m PU: 6 m

Decor Express Decor Salamander white. A comprehensive description of the EXTE Decor concept can be found on page 51.



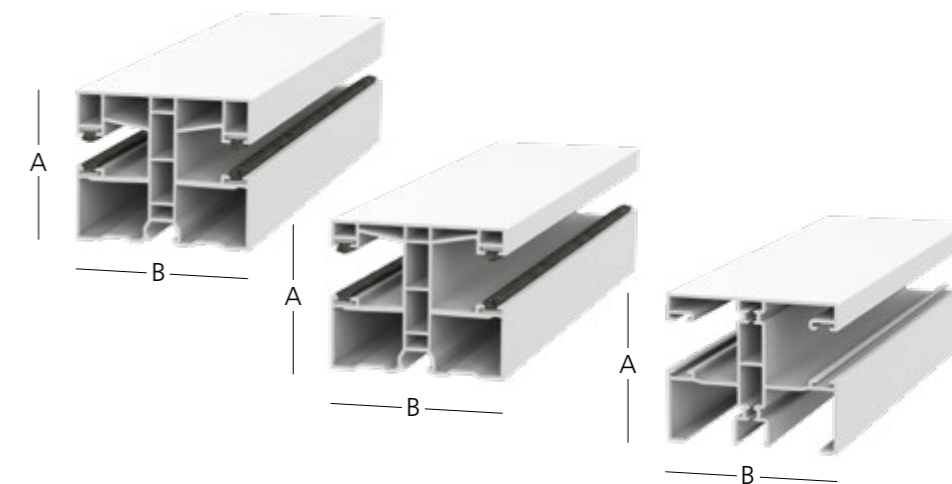
# Roller shutter runner rails

## PRODUCT DESCRIPTION

- Roller shutter runner rails
- Material: PVC white, PVC decor and aluminium
- Area of application: inspection from inside/below

## FUNCTION

Guide rails for roller shutter elements on windows and doors.



### Item no.

### Designation

50951-6 RLS 60 x 51, mini, 2 grooves, 4 brushes



Height A: 51 mm Width B: 60 mm Length: 6 m PU: 6 m

### Item no.

### Designation

50961-6 RLS 60 x 51, maxi, 2 grooves, 4 brushes



Height A: 51 mm Width B: 60 mm Length: 6 m PU: 6 m

### Item no.

### Designation

54371-6 RLS 60 x 51, maxi, 2 grooves, without brushes

Height A: 51 mm Width B: 60 mm Length: 6 m PU: 6 m

Decor Express Decor Salamander white. A comprehensive description of the EXTE Decor concept can be found on page 51.



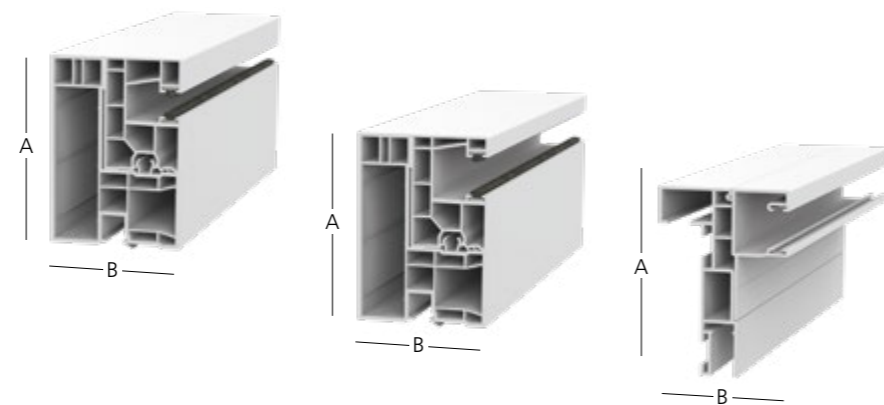
# Roller shutter runner rails

## PRODUCT DESCRIPTION

- Roller shutter runner rails
- Material: PVC white, PVC decor and aluminium
- Area of application: inspection from outside

## FUNCTION

Guide rails for roller shutter elements on windows and doors.



### Item no.

### Designation

50861-6 RLS 60 x 86, mini, 1 groove, 2 brushes



Height A: 86 mm Width B: 60 mm Length: 6 m PU: 6 m

### Item no.

### Designation

50871-6 RLS 60 x 86, mini, 1 groove, 2 brushes



Height A: 86 mm Width B: 60 mm Length: 6 m PU: 6 m

### Item no.

### Designation

5433-6 RLS aluminium 60 x 86, maxi, 1 groove, without brushes

5494-6 Adapter for external RLS inspection

Height A: 86 mm Width B: 60 mm Length: 6 m PU: 6 m

Decor Express Decor Salamander white. A comprehensive description of the EXTE Decor concept can be found on page 51.



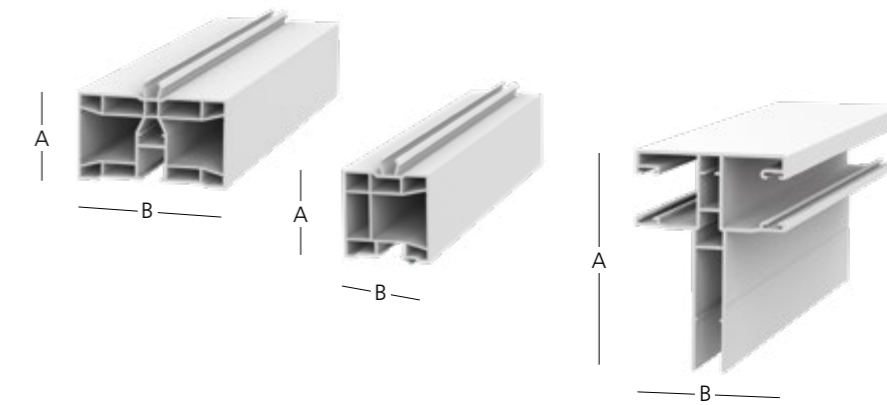
# Roller shutter runner rails

## PRODUCT DESCRIPTION

- Roller shutter runner rails
- Material: PVC white, PVC decor and aluminium
- Area of application: inspection from outside

## FUNCTION

Guide rails for roller shutter elements on windows and doors.



### Item no.

### Designation

5082-6 Double profile 60 x 35 (suitable for 50951, 50961)



Height A: 35 mm Width B: 60 mm Length: 6 m PU: 6 m

### Item no.

### Designation

50801-6 Double 35 x 35 (suitable for 50811, 50851)



Height A: 35 mm Width B: 35 mm Length: 60 m PU: 6 m

### Item no.

### Designation

5434-6 RLS double 60 x 86, maxi, 2 grooves, without brushes

Height A: 86 mm Width B: 60 mm Length: 6 m PU: 6 m

Decor Express Decor Salamander white. A comprehensive description of the EXTE Decor concept can be found on page 51.



# Inspecton angle and insulation

## PRODUCT DESCRIPTION

- Accessories for roller shutter runner rails.
- Material: PVC, Styrofoam
- Area of application: inspection from outside

## FUNCTION

Inspecton angle and additional insulation for inspection from outside.

### Item no.

### Designation

5904-6 Inspecton angle outside, white

5904-14 Inspecton angle outside, black

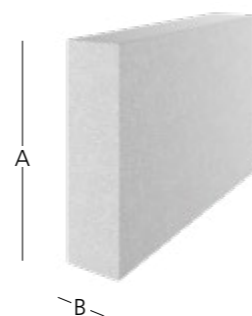
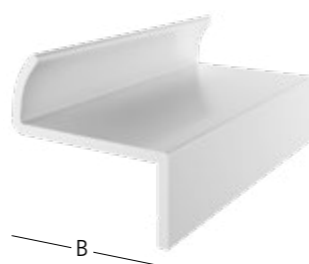
**Width B:** 60 mm **Length:** 6 m **PU:** 60 m

### Item no.

### Designation

53290-35 Insulation RA 20 x 69 (suitable for 50861, 50871, 5433)

**Height A:** 69 mm **Width B:** 20 mm **Length:** 1.25 m **PU:** 50 pieces



# Cover caps

## PRODUCT DESCRIPTION

- Accessories for roller shutter runner rails.
- Material: PVC white, PVC brown, PVC black, PVC grey

## FUNCTION

Connection elements of the guide rails for roller shutter elements on windows and doors.

### Item no.

### Designation

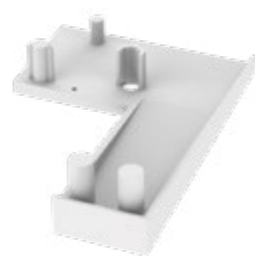
57969-6 Cover for adapter RA 50841, white

57969-7 Cover for adapter RA 50841, brown

57969-14 Cover for adapter RA 50841, black

57969-44 Cover for adapter RA 50841, grey

**PU:** 100 pairs **Suitable for:** 50841



# Cover caps

## PRODUCT DESCRIPTION

- Accessories for roller shutter runner rails.
- Material: PVC white, PVC brown, PVC black, PVC grey

## FUNCTION

connection elements of the guide rails for Roller shutter elements on windows and doors.

### Item no.

### Designation

57972-6 Cover RLS 35 x 51 single maxi, including 1 bar, white

57972-7 Cover RLS 35 x 51 single maxi, including 1 bar, brown

57972-14 Cover RLS 35 x 51 single maxi, including 1 bar, black

57972-44 Cover RLS 35 x 51 single maxi, including 1 bar, grey

**PU:** 100 pairs **Suitable for:** 50811, 50851

### Item no.

### Designation

57931-6 Cover RLS 60 x 51, double, maxi, including 2 bars, white

57931-7 Cover RLS 60 x 51, double, maxi, including 2 bars, brown

57931-14 Cover RLS 60 x 51, double, maxi, including 2 bars, black

57931-44 Cover RLS 60 x 51, double, maxi, including 2 bars, grey

**PU:** 100 pieces **Suitable for:** 50901, 50911, 54321, 50951, 50961, 54731

### Item no.

### Designation

57993-6 Cover RLS 60 x 35, double, maxi, including 2 bars, white

57993-7 Cover RLS 60 x 35, double, maxi, including 2 bars, brown

57993-14 Cover RLS 60 x 35, double, maxi, including 2 bars, black

57993-44 Cover RLS 60 x 35, double, maxi, including 2 bars, grey

**PU:** 100 pieces **Suitable for:** 50971, 50982, 50983

### Item no.

### Designation

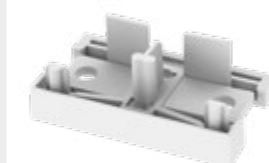
57968-6 Cover for doubling 5082, white

57968-7 Cover for doubling 5082, brown

57968-14 Cover for doubling 5082, black

57968-44 Cover for doubling 5082, grey

**PU:** 100 pieces **Suitable for:** 5082



# Inlet hopper

## PRODUCT DESCRIPTION

- Accessories for roller shutter runner rails.
- Material: PVC white, PVC brown

## FUNCTION

Connection elements of the guide rails for roller shutter elements on windows and doors.

Item no.	Designation
579421-6	Intake guide single, mini, white
579421-14	Intake guide single, mini, black

PU: 50 pairs    **Suitable for:** 50851, 50901, 50861, 50971, 54351, 54321, 5494

Item no.	Designation
579411-6	Intake guide single, maxi, white
579411-14	Intake guide single, maxi, black

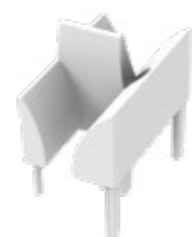
PU: 50 pairs    **Suitable for:** 50811, 50911, 50871, 54351, 54321, 5494

Item no.	Designation
579431-6	Intake guide double, closed, mini, white
579431-14	Intake guide double, closed, mini, black

PU: 50 pairs    **Suitable for:** 50951, 50982, 5434, 54371

Item no.	Designation
579422-6	Intake guide double, closed, maxi, white
579422-14	Intake guide double, closed, maxi, black

PU: 100 pieces    **Suitable for:** 50961, 50983, 5434, 54371



# Brushes and weatherstrip

## PRODUCT DESCRIPTION

- Accessories for roller shutter runner rails.

## FUNCTION

Brushes and weatherstrip for the roller shutter guide rails.



Item no.	Designation
5398	Brush 6.7 x 4.5 for aluminium RLS, grey

PU: 425 m

Item no.	Designation
5397-12	Mini weatherstrip for aluminium RLS, grey

PU: 200 m

Item no.	Designation
53971-12	Maxi weatherstrip for aluminium RLS, grey

PU: 400 m

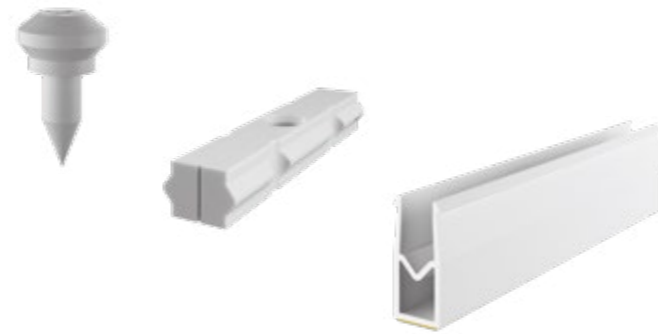
# Fasteners

## PRODUCT DESCRIPTION

- Accessories for roller shutter runner rails.

## FUNCTION

Connection elements of the guide rails for roller shutter elements on windows and doors.



### Item no.

### Designation

5630 Nipple screw for PVC and aluminium RLS

PU: 1,000 pieces

### Item no.

### Designation

5632 Clamping piece for RLS

PU: 1,000 pieces

### Item no.

### Designation

54341 Clip profile RLS aluminium inspection outside, white

Length: 6 m PU: 60 m

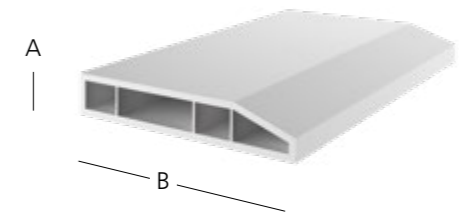
# Traverses

## PRODUCT DESCRIPTION

- Traverses
- Material: PVC white
- Area of application: for old and new buildings

## FUNCTION

For covering the outer connection joint.



### Item no.

### Designation

9053 Traverse 45 x 10 mm, white

9054 Traverse 60 x 10 mm, white

Height A: 10 mm Length: 6 m PU: 60m

## EXAMPLE OF APPLICATION

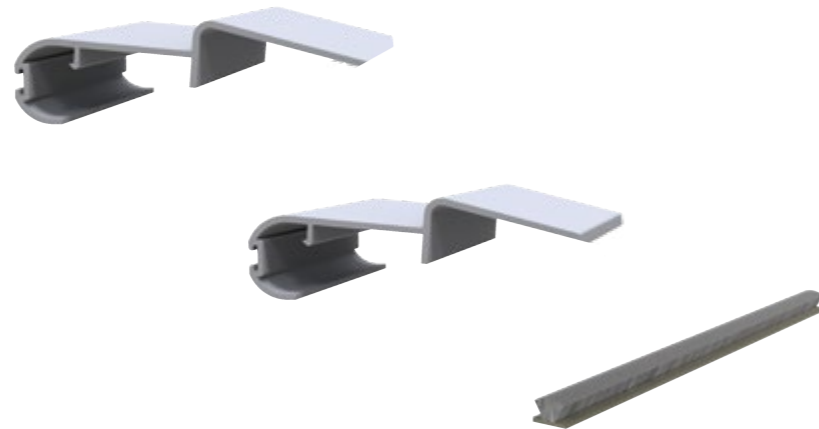


Traverse (flutter bar)

# Roll-off strips

## PRODUCT DESCRIPTION

- Roll-off strips with box lid holder
- Material: PVC white, PVC brown
- Area of application: for old and new buildings



## FUNCTION

- For receiving the box lid on the frame
- Optionally with soft lip or insulating insert for sealing on the box lid
- Roll-off function outside with brush holder

Item no.	Designation
----------	-------------

5010004-6	Roll-off strip 85 with sealing lip, white
5010004-14	Roll-off strip 85 with sealing lip, black

Length: 6 m PU: 60 m

Item no.	Designation
----------	-------------

5010003-6	Roll-off strip 100 with sealing lip, white
5010003-14	Roll-off strip 100 with sealing lip, black

Length: 6 m PU: 60 m

Item no.	Designation
----------	-------------

R881	Counter brush outside 6.7 x 8 mm, grey
------	--

PU: 200 m

## EXAMPLE OF APPLICATION



Roll-off strip 100



A WORLD OF OPPORTUNITY

# Cladding solutions

→ At EXTE, we believe that every exterior design should be unique. That is why we offer a wide range of cladding solutions and privacy protection options that meet the highest quality standards. From the selection of the perfect decor to the final assembly – rely on our expertise to make your vision a reality.



# Professional plank roof

## Cladding panel with a wide variety of decorations

Professional Plank is a range of professional cladding solutions made of plastic for roof and façade. The high-quality profiles offer a permanently flawless look – without any maintenance. Since they are not made of composite materials, they can also be easily and 100% recycled after decades of use.

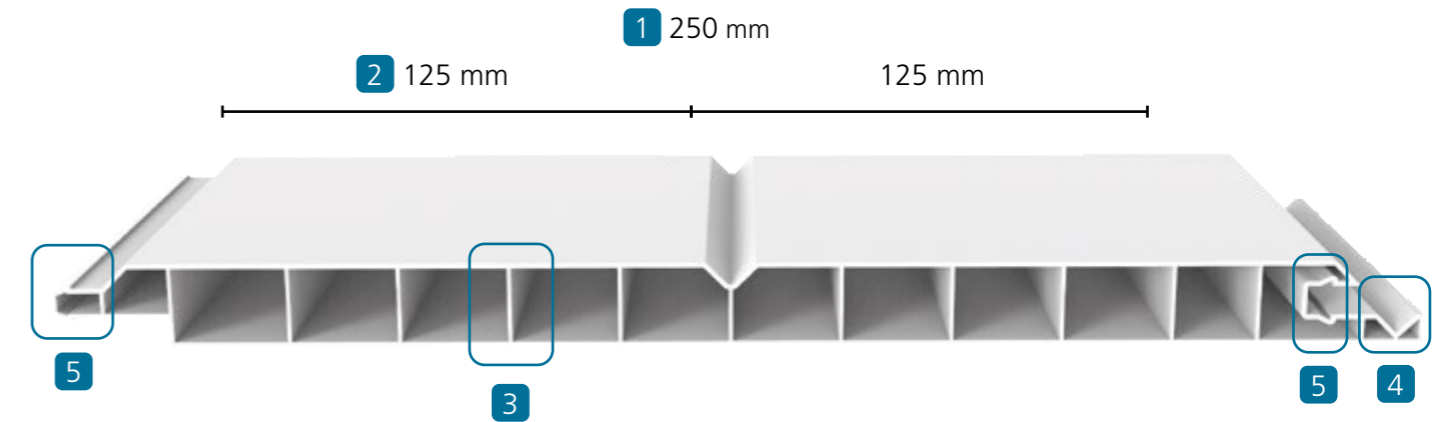
Similar to wood, Professional Plank can be processed with commercially available tools (see processing instructions). The well thought-out details and additional profiles enable fast and problem-free assembly.

Professional Plank is available in a wide range of timeless and modern designs. In addition to the seven exclusive standard decors, there are 27 other special decors available at short notice. For special requirements, more than 200 additional decors are available on request. A variety that leaves nothing to be desired.

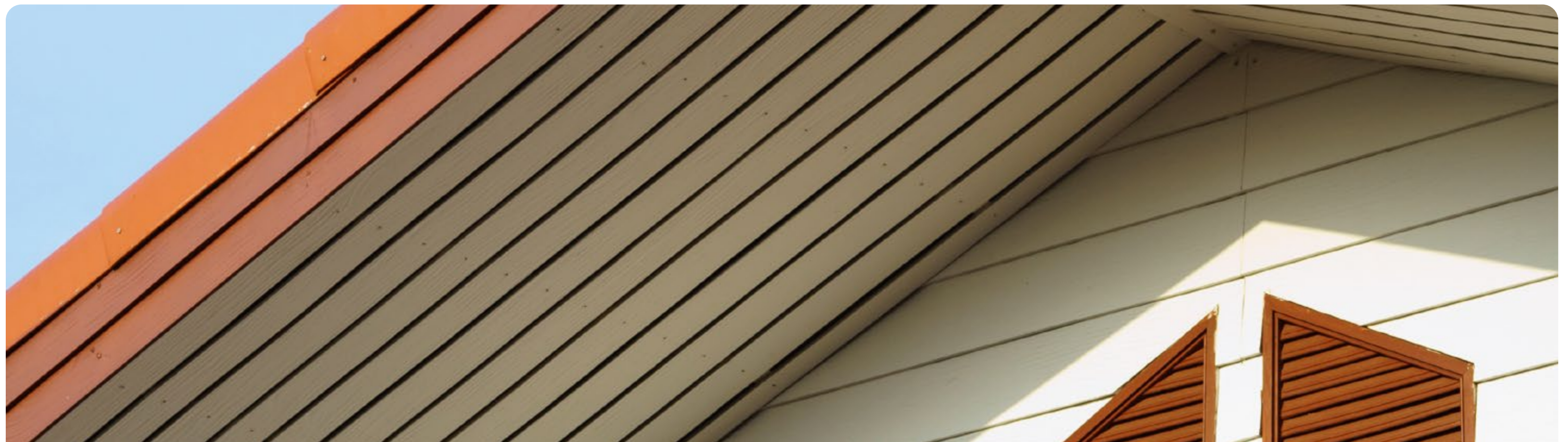
- Attractive and visually appealing
- Particularly stable and durable
- Completely maintenance-free
- Easy to clean
- Quick and problem-free to assemble
- 100% recyclable

# Professional plank roof

The advantages of the professional plank roof



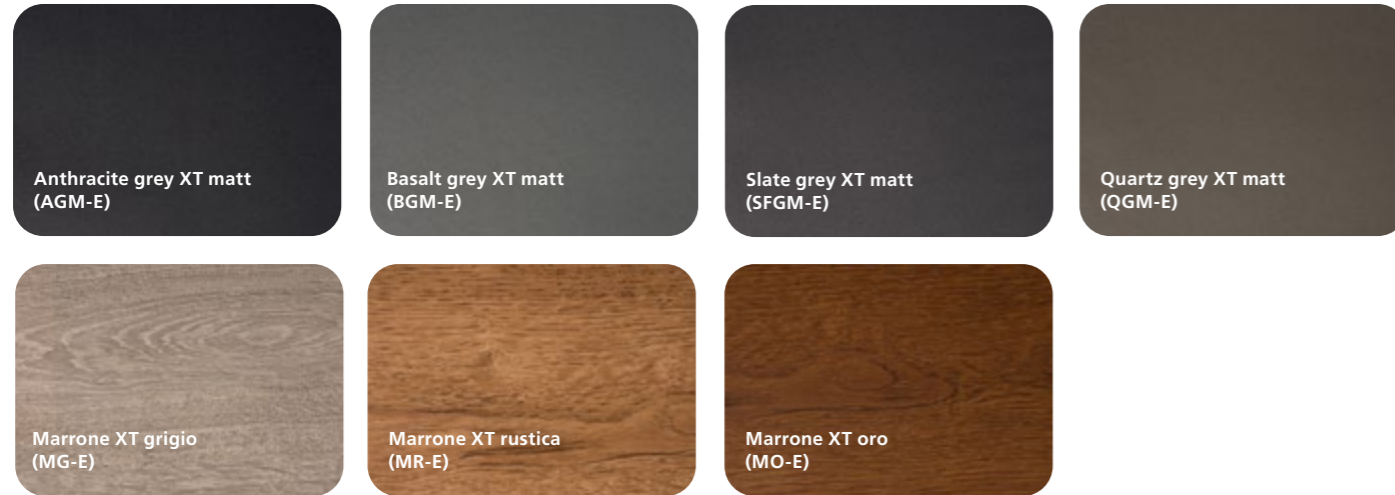
- 1 Fast installation thanks to 250 mm cover width
- 2 "2-board look" with 125 mm pitch matching classic wooden tongue and groove boards
- 3 High stability due to appropriate wall thicknesses/inner webs
- 4 Screw channel with elongated hole punching
- 5 Tongue and groove with clip connections



# EXTE standard decors

Deliverable within 20 business days

## PRICE GROUP 1



Subject to change without notice. Delivery time for selected profiles: 20 business days. This applies on condition the foils are available from the foil supplier!

# The EXTDecor variety

Deliverable within 20 business days

## PRICE GROUP 2



Subject to change without notice. Delivery time for selected profiles: 20 business days. This applies on condition the foils are available from the foil supplier!

# Professional plank roof

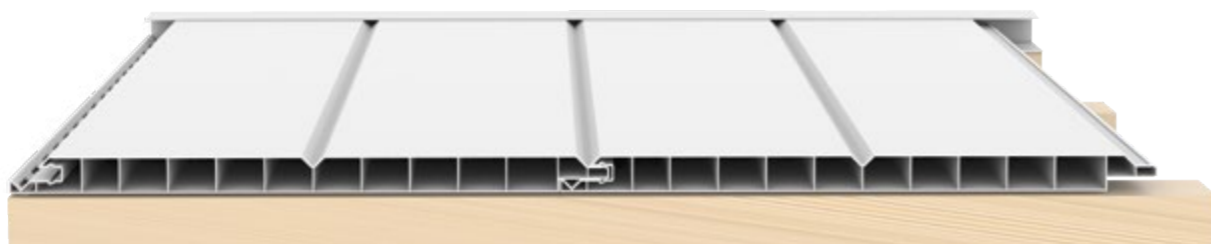
COVERING PANEL



Item no.	Designation	Length	PU	Pal. PU
7502-6	Professional plank roof 250 x 17 mm white	6 m	30 m	420 m
7502-68	Professional plank roof 250 x 17 mm white, without protective foil	6 m	30 m	420 m
7502,300-6	Professional plank roof 250 x 17 mm white, 3 m	3 m	15 m	420 m
7502-4	Professional plank roof 250 x 17 mm cream white	6 m	30 m	420 m
7502-D	Professional plank roof 250 x 17 mm decor	6 m	30 m	420 m

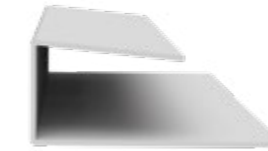


EXAMPLE OF INSTALLATION



# Accessories

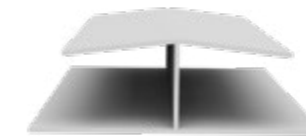
U-PROFILE



Item no.	Designation	Length	PU
7510-6	U-profile 50 x 21 mm white	6 m	60 m
7510,300-6	U-profile 50 x 21 mm white	3 m	30 m
7510-4	U-profile 50x21 mm cream white	6 m	30 m
7510,300-4	U-profile 50 x 21 mm cream white	3 m	30 m
7510,300-D	U-profile 50 x 21 mm decor	3 m	30 m



H-PROFILE



Item no.	Designation	Length	PU
7512,300-6	H-profile 65 x 21 mm white	3 m	30 m
7512,300-4	H-profile 65 x 21 mm cream white	3 m	30 m
7512,300-D	H-profile 65 x 21 mm decor	3 m	30 m



EXAMPLE OF INSTALLATION



U-profile



H-profile

# Professional plank roof

## CORNER PROFILE



Item no.	Designation	Length	PU
7511,300-6	Corner profile variable 73 x 105 x 17 mm white	3 m	18 m
7511,300-D	Corner profile variable 73 x 105 x 17 mm white	3 m	6 m



## EXAMPLE OF INSTALLATION



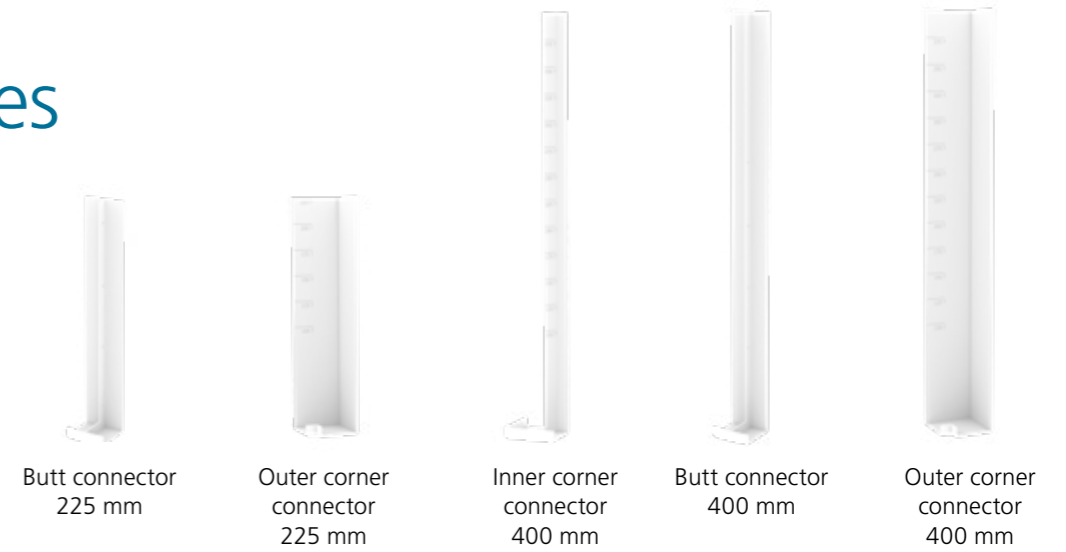
Inside



outside > 90°

# Accessories

## HARD FOAM ANGLE



Item no.	Designation	PU
7519,225-6	Rigid foam angle butt connector 225 mm white	20 pcs.
7519,400-6	Rigid foam angle butt connector 400 mm white	20 pcs.
7519,225-D	Rigid foam angle butt connector 225 mm decor	1 pc.
7519,400-D	Rigid foam angle butt connector 400 mm decor	1 pc.
7520,225-6	Rigid foam angle outer corner connector 225 mm white	20 pcs.
7520,400-6	Rigid foam angle outer corner connector 400 mm white	20 pcs.
7520,225-D	Rigid foam angle outer corner connector 225 mm decor	1 pc.
7520,400-D	Rigid foam angle outer corner connector 400 mm decor	1 pc.
7521,400-6	Rigid foam angle inner corner connector 400 mm white	20 pcs.
7521,400-D	Rigid foam angle inner corner connector 400 mm decor	1 pc.

Decor Express Decor Salamander white. A comprehensive description of the EXTE Decor concept can be found on page 51.

# Professional plank roof

## Working information

Professional plank-roof panels and rigid foam angles are used for the cladding of roof overhangs, walkways, gables and dormers.

## Storage

Profiles made of plastic must be stored without pressure and resting on the entire surface. Profiles stored outdoors must be protected from direct weathering.

## Tools

Professional Plank cladding panels can be easily processed with commercially available tools. For sawing, a fine-toothed saw or a one-hand angle grinder is used. Cross-cut saws with plastic saw blades can also be used. HSS drills without a centring tip are suitable for drilling.

## Handling

Plastic profiles can be scratched by contact with pointed or sharp objects (e.g. cutter blades). Scratches can also occur by rubbing two profile surfaces against each other. To avoid such damage, it is necessary to handle the material with appropriate care. Therefore, packaging must always be opened over the entire length.

## Cleaning

All solvent-based surfactant-free cleaners are suitable for cleaning the surfaces. Cleaners with solvents based on acetone, 2-butanone/MEK and vinegar cleaners can attack plastic profiles and must therefore not be used under any circumstances.

## Substructure

Wooden slats for the substructure must have a minimum thickness of 25 mm and a minimum width of 30 mm. For roof overhangs, the maximum slat distance is 60 cm.

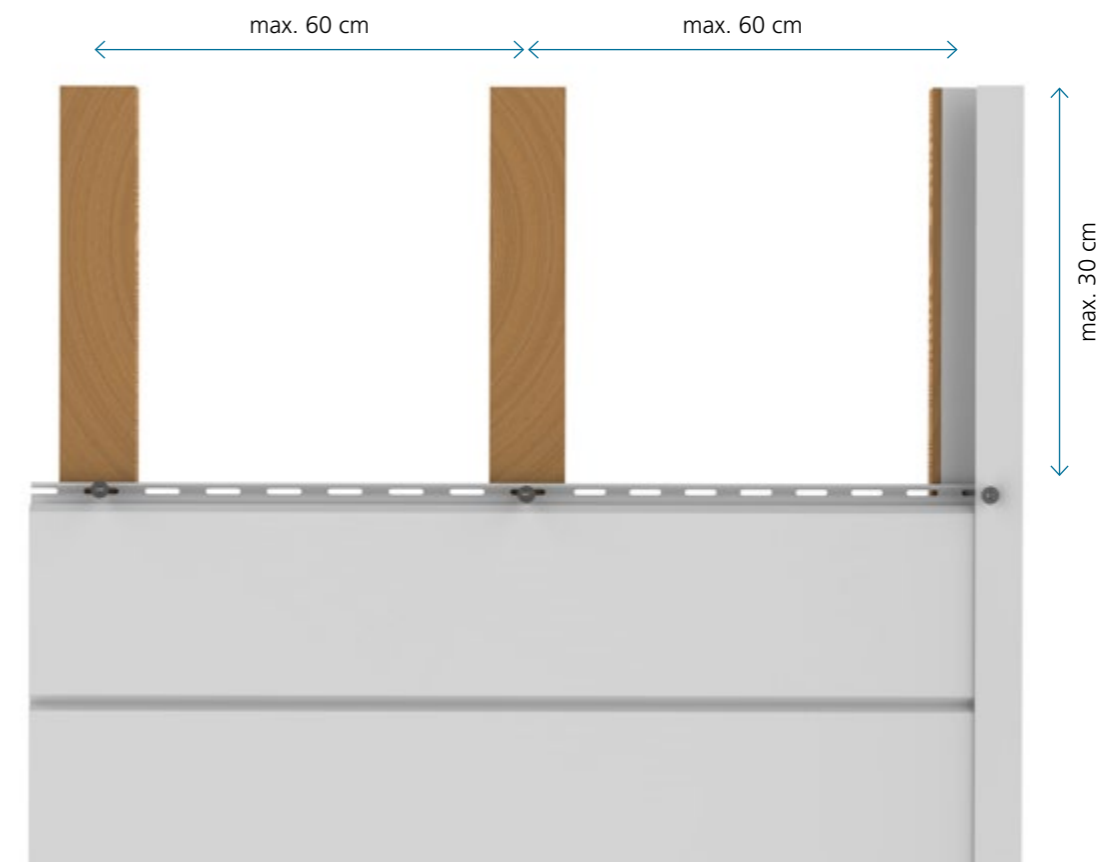
## Fastening material

Stainless nails, screws or profile board clamps can be used to attach the professional plank panels.

# Professional plank – processing instructions

## ASSEMBLY

The professional plank panels and all additional profiles are attached to the substructure at a distance of a maximum of 30 cm. For applications on the facade, the attachment is made as centrally as possible to the slotted holes provided for this purpose.



Rigid foam angles must be screwed to the top and bottom of the substructure at a distance of a maximum of 30cm. It is necessary to pre-drill with 1 mm allowance for the screw thickness.

Sufficient expansion distances must be ensured during installation at all joints and corner connections to compensate for longitudinal expansion. These are at least:

**white profiles**  
0.3 % of the profile length = 3 mm per m of profile length

**Decor profiles**  
0.5 % of the profile length = 5 mm per m of profile length  
A maximum processing length of 300 cm is permitted for deco profiles.

Protective foils must be removed immediately after installation. When installing rafters, removal is necessary before installation.

# Privacy strip

## PREMIUM QUALITY: MADE IN GERMANY

The Exte Premium privacy strips are ideally suited to transform any commercially available double-bar mat fence into an attractive privacy screen. The material is extremely robust, weather-resistant, dimensionally stable and, above all, UV-stable and lightfast for years. The slightly grooved surface ensures an appealing look. The prefabricated material is already cut to fit all commercially available fence elements. It can be mounted quickly, easily and without tools.

The privacy strip is braided into the bar mat elements and clamped at the ends behind the cover strip of the fence post. No other fasteners or aids are required.

Our privacy strips are made of high-quality polypropylene and are available in 10 attractive colours.

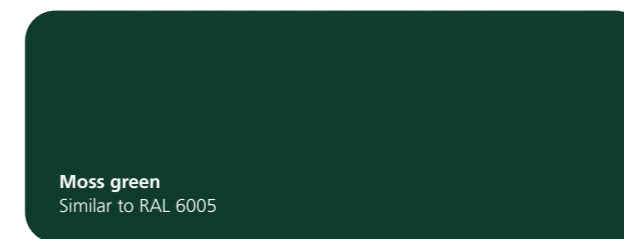
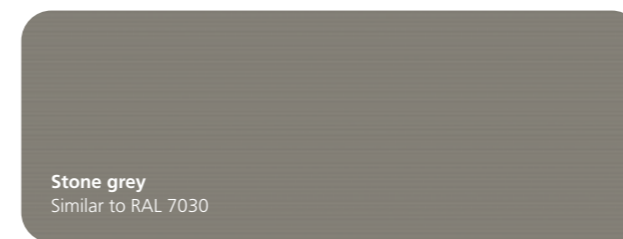
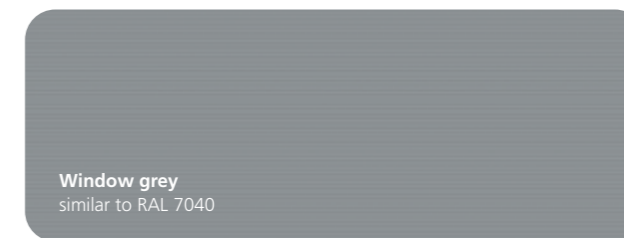
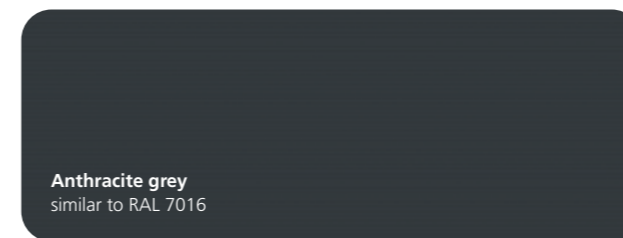
Thanks to the easy-to-clean surface, the Exte Premium privacy strips are particularly easy to care for. Dirt can be easily sprayed with the garden hose or wiped with a cleaning cloth if necessary.



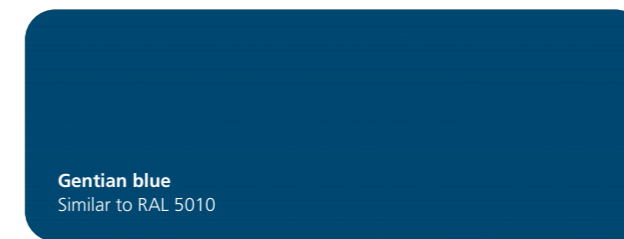
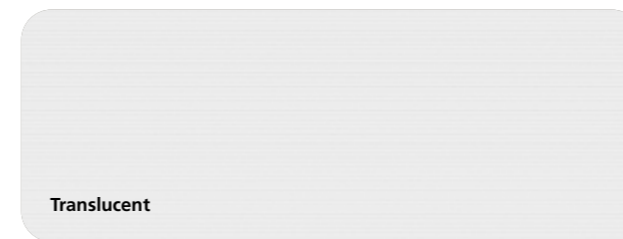
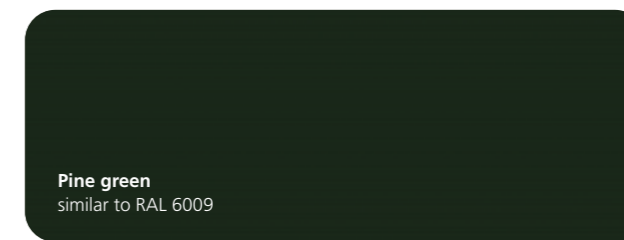
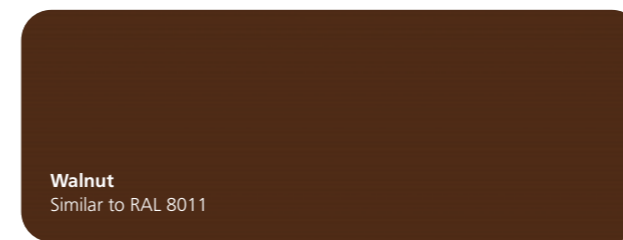
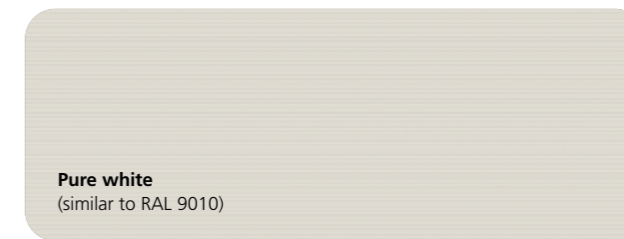
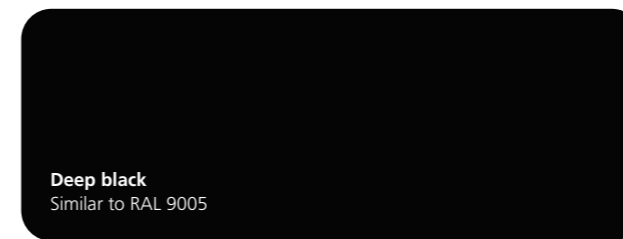
### All the advantages of our premium privacy strips at a glance:

- Weather-resistant and robust
- Highest weather resistance
- Easy attachment by braiding
- Easy to care for and problem-free to clean
- Attractive design in 10 attractive colours

# Standard colours



# Special colours



# Privacy strip premium PP

## PRODUCT DESCRIPTION

- Privacy strips
- Material polypropylene
- Area of application: for rod mat fences

## FUNCTION

- Privacy
- Design element
- Can be retrofitted at any time
- Easy assembly
- Highest weather resistance

## RODS

Item no.	Designation	Colour
9420190-7016	Privacy strip PREMIUM PP 190 mm	Anthracite grey similar to RAL 7016
9420190-7040	Privacy strip PREMIUM PP 190 mm	Window grey similar to RAL 7040
9420190-7030	Privacy strip PREMIUM PP 190 mm	Stone grey, similar to RAL 7030
9420190-6005	Privacy strip PREMIUM PP 190 mm	Moss green similar to RAL 6005
9420190-9005	Privacy strip PREMIUM PP 190 mm	Deep black similar to RAL 9005
9420190-9010	Privacy strip PREMIUM PP 190 mm	Pure white similar to RAL 9010
9420190-8011	Privacy strip PREMIUM PP 190 mm	Walnut similar to RAL 8011
9420190-6009	Privacy strip PREMIUM PP 190 mm	Fir green similar to RAL 6009
9420190-0001	Privacy strip PREMIUM PP 190 mm	Translucent
9420190-5010	Privacy strip PREMIUM PP 190 mm	Gentian blue similar to RAL 5010

Height: 190 mm Length: 2.535 m PU: 10 pcs. Pallets PU: 480 pc.

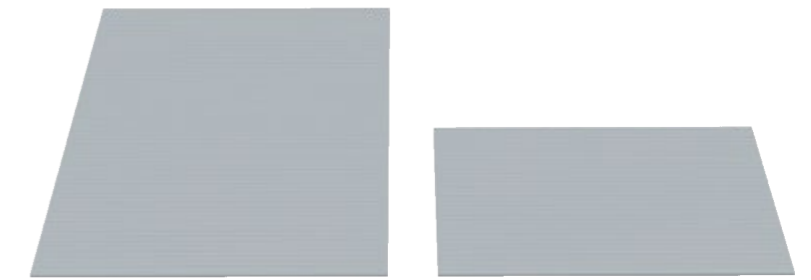
# Privacy strip premium PP

## PRODUCT DESCRIPTION

- Privacy strips
- Material polypropylene
- Area of application: for rod mat fences

## FUNCTION

- Privacy
- Design element
- Can be retrofitted at any time
- Easy assembly
- Highest weather resistance



## ROLLERS

Item no.	Designation	Colour
9420190RO-7016	Privacy strip PREMIUM PP 190 mm	Anthracite grey similar to RAL 7016
9420190RO-7040	Privacy strip PREMIUM PP 190 mm	Window grey similar to RAL 7040
9420190RO-6005	Privacy strip PREMIUM PP 190 mm	Moss green similar to RAL 6005

Height: 190 mm Length: 25.50 m PU: 1 pcs. Pallets PU: 72 pc.

# General storage, packaging and processing instructions

## 1. GENERAL MATERIAL INFORMATION

PVC is permanently deformable under high temperatures and simultaneous weight or pressure loads! Linear expansion must be ensured during installation by providing sufficient distance from neighbouring components.

### Thermal length change

The following information applies to temperature differences of approx. 70K (e.g. -10 °C to + 60 °C).

**PVC hard, white:** min. 0.3 % of the profile length  
**PVC hard, coloured:** min. 0.5 % of the profile length

## 2. TRANSPORT/SHIPPING

The profiles must be transported without pressure. When securing the load, direct contact with the securing band must be avoided by means of suitable transport securing brackets. Profiles in the cut can be shipped in a maximum length of 3 m. The transport and cutting costs are charged separately according to expenditure.

Caution! The subsequent wrapping of e. g. cut profiles with stretch foils is not permitted, otherwise permanent deformations can occur under high temperatures.

## 3. STORAGE

Profiles made of plastic must be stored without pressure and resting on the entire surface. Profiles that are stored outdoors must be protected from direct weathering.

## 4. SELF-ADHESIVE PROFILES

The adhesive surface must be dry, dust-free and grease-free. All solvent-based surfactant-free cleaners are suitable for cleaning the adhesive surface (attention: cleaners with solvents based on acetone, 2-butanone/MEK and vinegar cleaners can attack plastic profiles). It is recommended to process the cleaner with lint-free paper towels and to clean the adhesive surfaces only shortly before gluing. The adhesive should be applied at room temperature and with profiles temperature-controlled to room temperature. Processing at temperatures below 15°C is not recommended. Profiles must not be glued under tension and must be pressed evenly.

Special care is taken at the profile ends. Protective foils on the visible surfaces of the profiles must be removed immediately after installation.

The warranty on the function of the adhesive tape is 2 years from the date of production.

Profiles with adhesive film tapes are only suitable for use indoors. Laminated profiles with adhesive tapes are generally not suitable for use outdoors. The minimum adhesive surface must be 80 % of the adhesive tape width. The adhesive tape protective foil should only be removed from the adhesive tape shortly before installation. The full adhesive strength of the self-adhesive profiles is only achieved after approx. 24 hours. The lateral application of compressive tapes is not permitted, as they exert pressure on the adhesive. Under high temperatures, this can lead to permanent deformations and detachment of the self-adhesive.

## 5. LAMINATED PROFILES

For production reasons, the first 4 cm must be cut off at both ends of laminated profiles, as full-surface adhesive bonding of the foil cannot be guaranteed there. Dark and laminated decorative profiles must be stored inside and protected from direct sunlight during storage and transport. Heat accumulation under dark packaging foils or the like must be avoided.

## 6. ROLLER SHUTTER GUIDES

Only the nipple screws (item no. 5630) and clamping pieces (item no. 5632) approved by exte may be used for the installation. The distance between the nipple screws must not exceed 300 mm. The first nipple screw is measured 100 mm from the upper and lower edge of the window, screwed. The guide rails must be applied to the frame offset from the end position and then pushed to their final position. The lateral application of compressive tapes is not permitted, as they exert pressure on the catch mechanism. Under high temperatures, this can lead to permanent deformations and detachment of the guide rails.

# General information about our conditions

## 1. PRICES

All prices are net, and exclusive of sales tax.

## 2. DELIVERY TIME FOR STANDARD/SPECIAL PRODUCTIONS:

Standard profiles are available from stock within 5 working days after order clarification. Special productions on customer request are charged according to handling and packaging costs. Delivery times for these items by arrangement.

## 3. PACKING:

The packaging is loose on pallets, packed in foil tube and/or in cardboard boxes. EXTE pallets are managed via the customer's own pallet account. Pallets not returned will be charged.

## 4. DELIVERY CONDITIONS FOR SHIPPING

### WITHIN GERMANY:

We deliver free of charge from €1,000 net value of goods. For orders with a net value of less than €1,000, we charge a flat-rate freight fee of €20. For orders with a net value of less than €500, we charge a flat-rate freight fee of €45.

Orders with goods only eligible for parcel service are calculated according to expenditure. Different conditions apply to our roller shutter box systems and to deliveries abroad.

### 5. MINOR QUANTITIES:

On request, the delivery of single rods instead of full packaging units is also possible for all profiles. In these cases, however, we charge a small surcharge of €25 per item.

## Roller shutter box systems



## Window accessory systems



## Cladding solutions



## We are here for you.

**EXTE GmbH**  
Wasserfuhr 4  
D - 51688 Wipperfürth

Phone: +49 2267 687-0  
Fax: +49 2267 687-88  
Email: [fzb@exte.de](mailto:fzb@exte.de)

**EXTE GmbH**  
Damaschkeweg 15  
D - 06366 Köthen

Phone: +49 3496 30995-0  
Fax: +49 3496 30995-29  
Email: [kontakt@exte.de](mailto:kontakt@exte.de)

**EXTE Sp. z o.o.**  
ul. Zaolziańska 11  
PL - 41-800 Zabrze

Phone: +48 32 332 0406  
Fax: +48 32 332 0405  
Email: [exte@exte.pl](mailto:exte@exte.pl)

